



RESIDENTIAL SOLAR REPLACEMENT PARTS LIST

“MS” Series Models

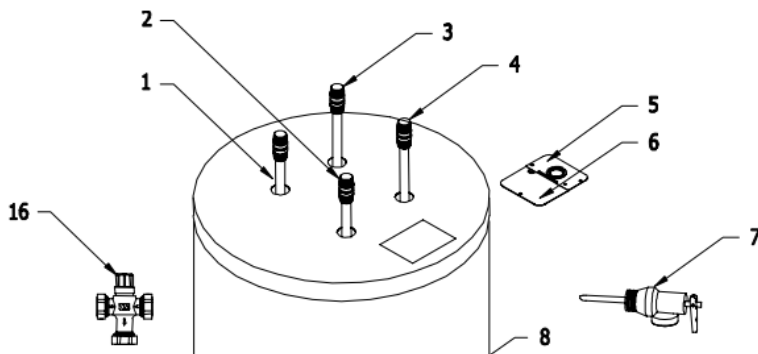


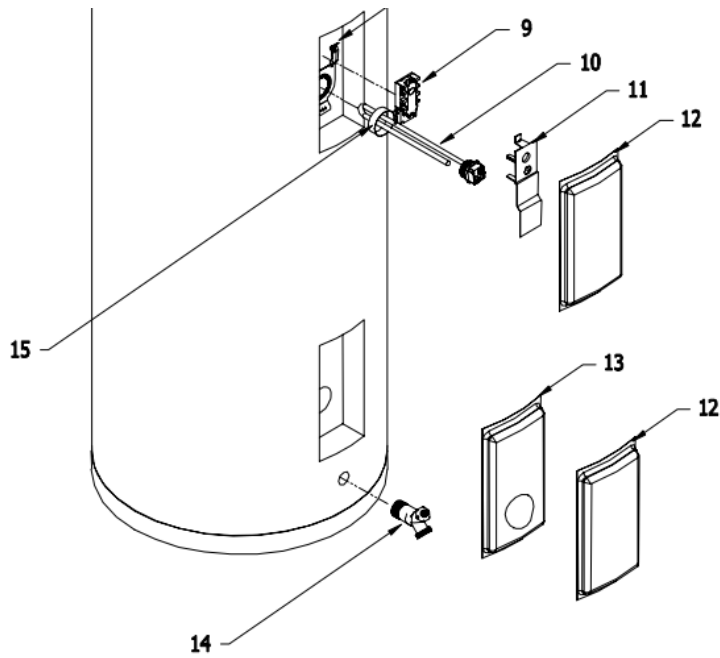
*Effective: April 1, 2007
ECO 7225*

NOTE: BOTH MODEL AND SERIAL NUMBERS ARE REQUIRED FOR ORDERING REPLACEMENTS PARTS.

Specification subject to change without notice

Parts Book #238-46672-00A





Item	Description	Model	Model	Model
		MS65R*SS	MS80R*SS	MS120R*SS
1	Hot Outlet Anode Magnesium Aluminum	224-32731-84 224-32999-26	224-32731-84 224-32999-26	224-32731-87 224-32999-28
2	Dip Tube Pump Suction Polypropylene Polysulfone	229-32730-58 229-34189-38	229-32730-58 229-34189-38	229-32730-41 229-34189-38
3	Dip Tube Collector Return Polypropylene Polysulfone	229-32730-20 229-34189-12	229-32730-20 229-34189-12	229-32730-40 229-34189-12
4	Dip Tube Cold Water Inlet Polypropylene Polysulfone	229-39625-09 229-39628-09	229-39625-09 229-39628-09	229-39625-16 229-39628-16
5	Cover Conduit/Ground	243-39451-00	243-39451-00	243-39451-00
6	Cover Junction Box	243-39452-00	243-39452-00	243-39452-00
7	T&P Valve	230-40594-02	230-40594-02	230-40594-02
8	Thermostat Mounting Bracket	239-44479-00	239-44479-00	239-44479-00
9	Thermostat with High Limit	219-40694-00	219-40694-00	219-40694-00
10	Heating Element 240V/4500W**	220-42544-08	220-42544-08	220-42544-08
11	Thermostat Protector	223-40399-00	223-40399-00	223-40399-00
12	Access Cover	243-36618-02	243-36618-02	243-36618-02
13	Access Cover w/Collector Supply Opening	- - -	243-41246-00	243-41246-00
14	Brass Drain Valve	265-42351-02	265-42351-02	265-42351-02
15	Element Gasket	223-34019-00	223-34019-00	223-34019-00
16	ASSE Approved Mixing Valve	239-43740-01	239-43740-01	239-43740-01

* Denotes Warranty Years

** For other voltage & wattage combinations, refer to heating element part list 238-46629-00

