



RESIDENTIAL GAS REPLACEMENT PARTS LIST Energy Saver (M-4) Models



Includes Hydrojet[®] Total Performance System

Dash Ten, Eleven, Twelve or Thirteen (-10), (-11), (-12) or (-13)

Meets all LoNox and (SCAQMD) South Coast Air Quality Management District Requirements

Effective November 1, 2000

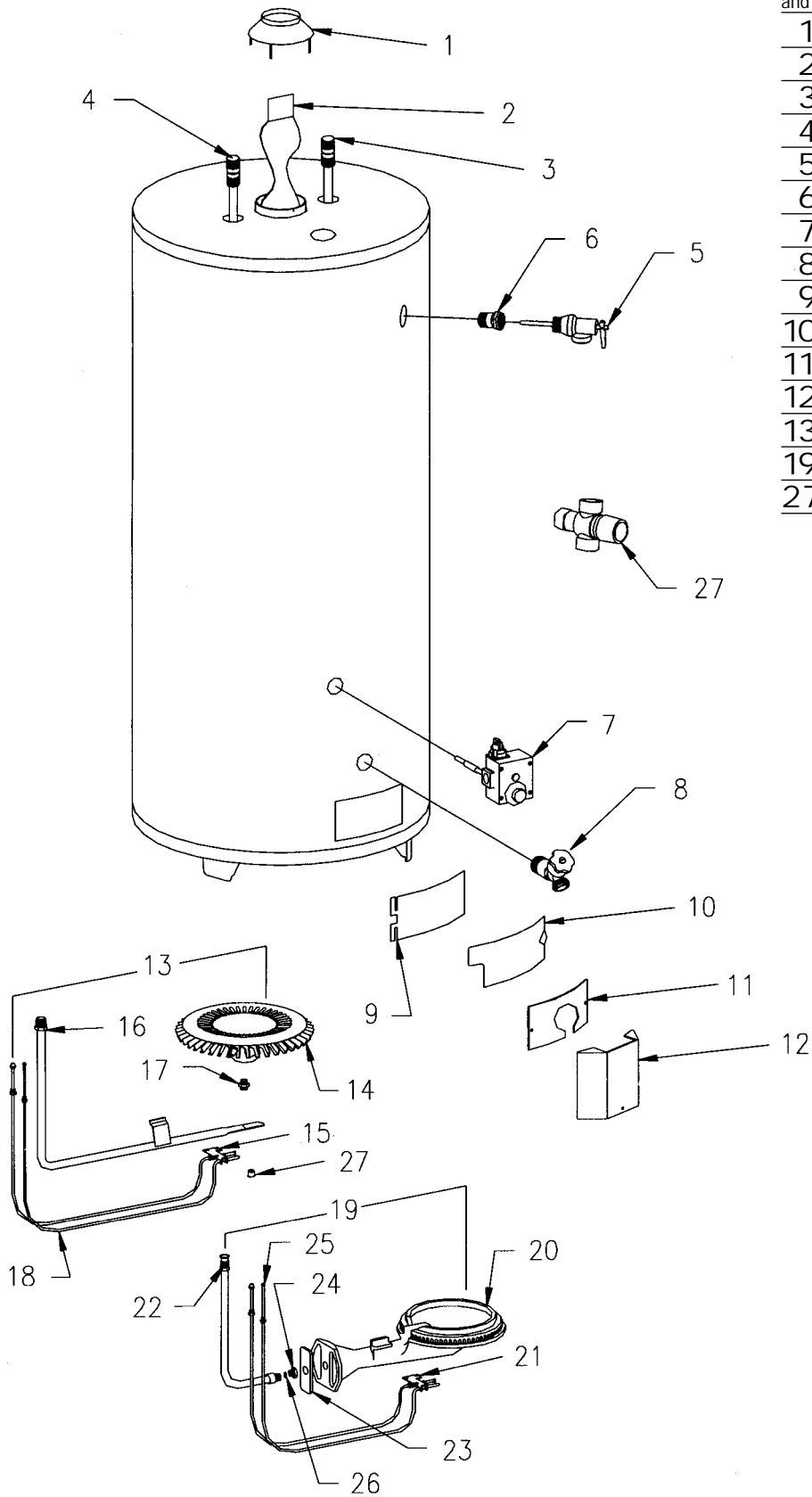
BOTH MODEL AND SERIAL NUMBER ARE REQUIRED FOR ORDERING REPLACEMENT PARTS

Dimensions and specifications subject to change without notice.

Basic Parts Description

Reference Number
and Description

1	Draft Hood
2	Flue Baffle
3	Cold Water Inlet Assembly
4	Hot Water Outlet/Anode Assembly
5	T&P Relief Valve
6	T&P Relief Valve Extender
7	Thermostat
8	Drain Valve
9	Inner Door
10	Outer Door
11	Inner Door (75 Gallon Models Only)
12	Outer Door (75 Gallon Models Only)
13	EN Burner Assembly
19	CN-CX Burner Assembly
27	Anti-Scald Valve



*If Your Model Number Is Found Below, Please Contact Manufacturer For Service Parts.
M430T6LN(-10)(-11), M440T6LN(-10)(-11), M4403T6LN(-10)(-11)(-12)(-13), M450S6LN(-10)(-11)(-12)
M440T6SN(10)(-11)(-12)(-13), M4403T6SN(-10)(-11)(-12)(-13), M450S6SN(-10)(-11)(-12)
M430T6SN(-10)(-11), M475S6CN10, M475S6CX10
M440T6CX10, M4403T6CX(-10)(-11), M450S6CX(-10)(-11)

Parts Common To M-4-(EN) Models

Reference Number and Description	Part Number
5 T&P Relief Valve	230-32920-01
6 T&P Relief Valve Extender	229-19100-00
7 Thermostat RobertShaw (R110RTSP)	222-41805-02
8 Drain Valve Brass	227-40995-02
9 Inner Door	243-36739-02
10 Outer Door	243-41061-00
14 EN Burner Only	228-41192-00

Optional Parts Reference Number and Description

27 Anti-Scald Valve	239-39908-02
---------------------	--------------

Parts Unique to M450S(*)EN12

Reference Number and Description	Part Number
1 3" Draft Diverter	243-17971-00
2 Assembly Baffle	243-41448-00
3 Cold Water Inlet (Hydrojet) Assembly	229-39625-06
4 Hot Water Outlet / Magnesium Anode Assembly	224-32731-82
13 Assembly EN Burner	243-41868-11
15 Assembly Nat. Pilot/Therm	233-41801-04
16 Assembly Nat. Gas Feedline	233-41816-04
17 Nat. Gas Orifice #32	234-41034-32
18 Thermocouple	233-33043-18

Optional Parts Reference Number and Description

3 Cold Water Inlet (Hydrojet) Assembly (PSDTA)	229-39626-06
4 Hot Water Outlet / Aluminum Anode Assembly	224-38437-01
17 High Altitude Orifice 2000 Ft. to 5000 Ft.	234-41034-36
17 High Altitude Orifice 5000 Ft. to 8000 Ft.	234-41034-38
17 High Altitude Orifice 8000 Ft. and Above	234-41034-38

Parts Unique to M450S(*)EN13

Reference Number and Description	Part Number
1 3" Draft Diverter	243-17971-00
2 Assembly Baffle	243-41448-00
3 Cold Water Inlet (Hydrojet) Assembly	229-39626-06
4 Hot Water Outlet / Magnesium Anode Assembly	224-38195-48
13 Assembly EN Burner	243-41868-11
15 Assembly Nat. Pilot/Therm	233-41801-04
16 Assembly Nat. Gas Feedline	233-41816-04
17 Nat. Gas Orifice #32	234-41034-32
18 Thermocouple	233-33043-18

Optional Parts Reference Number and Description

3 Cold Water Inlet (Hydrojet) Assembly (Heat Trap) (PSDTA)	229-39629-06
4 Hot Water Outlet / Aluminum Anode Assembly (Heat Trap)	224-38437-01
17 High Altitude Orifice 2000 Ft. to 5000 Ft.	234-41034-36
17 High Altitude Orifice 5000 Ft. to 8000 Ft.	234-41034-38
17 High Altitude Orifice 8000 Ft. and Above	234-41034-38

(*) Applies to all warranties.

Parts Unique to M4503(*)EN10

Reference Number and Description	Part Number
1 3" Draft Diverter	243-17971-00
2 Assembly Baffle	243-37785-51
3 Cold Water Inlet (Hydrojet) Assembly	229-39625-07
4 Hot Water Outlet / Magnesium Anode Assembly	224-32731-82
13 Assembly EN Burner	243-41868-11
15 Assembly Nat. Pilot/Therm	233-41801-04
16 Assembly Nat. Gas Feedline	233-41816-04
17 Nat. Gas Orifice #32	234-41034-32
18 Thermocouple	233-33043-18

Optional Parts Reference Number and Description

3 Cold Water Inlet (Hydrojet) Assembly (PSDTA)	229-39628-07
4 Hot Water Outlet / Aluminum Anode Assembly	224-38437-01
17 High Altitude Orifice 2000 Ft. to 5000 Ft.	234-41034-36
17 High Altitude Orifice 5000 Ft. to 8000 Ft.	234-41034-38
17 High Altitude Orifice 8000 Ft. and Above	234-41034-38

Parts Unique to M4503(*)EN11

Reference Number and Description	Part Number
1 3" Draft Diverter	243-17971-00
2 Assembly Baffle	243-37785-51
3 Cold Water Inlet (Hydrojet) Assembly2	229-39626-06
4 Hot Water Outlet / Magnesium Anode Assembly	224-38195-48
13 Assembly EN Burner	243-41868-11
15 Assembly Nat. Pilot/Therm	233-41801-04
16 Assembly Nat. Gas Feedline	233-41816-04
17 Nat. Gas Orifice #32	234-41034-32
18 Thermocouple	233-33043-18

Optional Parts Reference Number and Description

3 Cold Water Inlet (Hydrojet) Assembly (PSDTA)	229-39628-06
3 Cold Water Inlet (Hydrojet) Assembly (Heat Trap) (PSDTA)	229-39629-06
4 Hot Water Outlet / Aluminum Anode Assembly (Heat Trap)	224-38437-01
17 High Altitude Orifice 2000 Ft. to 5000 Ft.	234-41034-36
17 High Altitude Orifice 5000 Ft. to 8000 Ft.	234-41034-38
17 High Altitude Orifice 8000 Ft. and Above	234-41034-38

Parts Unique to M4504S(*)EN10

Reference Number and Description	Part Number
1 4" Draft Diverter	239-12950-00
2 Assembly Baffle	243-41449-00
3 Cold Water Inlet (Hydrojet) Assembly	229-39625-06
4 Hot Water Outlet / Magnesium Anode Assembly	224-32731-82
13 Assembly EN Burner	243-41868-19
15 Assembly Nat. Pilot/Therm	233-41801-04
16 Assembly Nat. Gas Feedline	233-41816-04
17 Nat. Gas Orifice #30	234-41034-30
18 Thermocouple	233-33043-18

Optional Parts Reference Number and Description

3 Cold Water Inlet (Hydrojet) Assembly (PSDTA)	229-39628-06
3 Cold Water Inlet (Hydrojet) Assembly (Heat Trap) (PSDTA)	229-39629-06
4 Hot Water Outlet / Aluminum Anode Assembly (Heat Trap)	224-38437-01
17 High Altitude Orifice 2000 Ft. to 5000 Ft.	234-41034-31
17 High Altitude Orifice 5000 Ft. to 8000 Ft.	234-41034-32
17 High Altitude Orifice 8000 Ft. and Above	234-41034-33

(*) Applies to all warranties.

Parts Unique to M4403S(*)EN12

Reference Number and Description	Part Number
1 3" Draft Diverter	243-17971-00
2 Assembly Baffle	243-41447-00
3 Cold Water Inlet (Hydrojet) Assembly	229-39625-03
4 Hot Water Outlet / Magnesium Anode Assembly	224-32731-81
13 Assembly EN Burner	243-41868-11
15 Assembly Nat. Pilot/Therm	233-41801-04
16 Assembly Nat. Gas Feedline	233-41816-04
17 Nat. Gas Orifice #32	234-41034-32
18 Thermocouple	233-33043-18

Optional Parts Reference Number and Description

3 Cold Water Inlet (Hydrojet) Assembly (PSDTA)	229-39628-03
3 Cold Water Inlet (Hydrojet) Assembly (Heat Trap) (PSDTA)	229-39629-03
4 Hot Water Outlet / Aluminum Anode Assembly (Heat Trap)	224-32999-10
17 High Altitude Orifice 2000 Ft. to 5000 Ft.	234-41034-36
17 High Altitude Orifice 5000 Ft. to 8000 Ft.	234-41034-38
17 High Altitude Orifice 8000 Ft. and Above	234-41034-38

Parts Unique to M4403T(*)EN12

Reference Number and Description	Part Number
2 Assembly Baffle	243-41448-00
3 Cold Water Inlet (Hydrojet) Assembly	229-39625-08
4 Hot Water Outlet / Magnesium Anode Assembly	224-32731-82
13 Assembly EN Burner	243-41868-08
15 Assembly Nat. Pilot/Therm	233-41801-02
16 Assembly Nat. Gas Feedline	233-41816-03
17 Nat. Gas Orifice #32	234-41034-32
18 Thermocouple	233-33043-16

Optional Parts Reference Number and Description

3 Cold Water Inlet (Hydrojet) Assembly (PSDTA)	229-39628-08
3 Cold Water Inlet (Hydrojet) Assembly (Heat Trap) (PSDTA)	229-39629-11
4 Hot Water Outlet / Aluminum Anode Assembly	224-32999-06
4 Hot Water Outlet / Aluminum Anode Assembly (Heat Trap)	224-38437-01
17 High Altitude Orifice 2000 Ft. to 5000 Ft.	234-41034-36
17 High Altitude Orifice 5000 Ft. to 8000 Ft.	234-41034-38
17 High Altitude Orifice 8000 Ft. and Above	234-41034-38

Parts Unique to M4403T(*)EN13

Reference Number and Description	Part Number
2 Assembly Baffle	243-41448-00
3 Cold Water Inlet (Hydrojet) Assembly	229-39626-11
4 Hot Water Outlet / Magnesium Anode Assembly	224-38195-48
13 Assembly EN Burner	243-41868-08
15 Assembly Nat. Pilot/Therm	233-41801-02
16 Assembly Nat. Gas Feedline	233-41816-03
17 Nat. Gas Orifice #32	234-41034-32
18 Thermocouple	233-33043-16

Optional Parts Reference Number and Description

3 Cold Water Inlet (Hydrojet) Assembly (Heat Trap) (PSDTA)	229-39629-11
4 Hot Water Outlet / Aluminum Anode Assembly	224-32999-06
4 Hot Water Outlet / Aluminum Anode Assembly (Heat Trap)	224-38437-01
17 High Altitude Orifice 2000 Ft. to 5000 Ft.	234-41034-36
17 High Altitude Orifice 5000 Ft. to 8000 Ft.	234-41034-38
17 High Altitude Orifice 8000 Ft. and Above	234-41034-38

(*) Applies to all warranties.

Parts Unique to M430T(*)EN10

Reference Number and Description	Part Number
2 Assembly Baffle	243-37785-31
3 Cold Water Inlet (Hydrojet) Assembly	229-39625-07
4 Hot Water Outlet / Magnesium Anode Assembly	224-32731-82
13 Assembly EN Burner	243-41868-13
15 Assembly Nat. Pilot/Therm	233-41801-02
16 Assembly Nat. Gas Feedline	233-41816-02
17 Nat. Gas Orifice #36	234-41034-36
18 Thermocouple	233-33043-16

Optional Parts Reference Number and Description

3 Cold Water Inlet (Hydrojet) Assembly (PSDTA)	229-39628-07
3 Cold Water Inlet (Hydrojet) Assembly (Heat Trap) (PSDTA)	229-39629-07
4 Hot Water Outlet / Aluminum Anode Assembly (Heat Trap)	224-38437-01
17 High Altitude Orifice 2000 Ft. to 5000 Ft.	234-41034-39
17 High Altitude Orifice 5000 Ft. to 8000 Ft.	243-41034-41
17 High Altitude Orifice 8000 Ft. and Above	243-41034-41

Parts Unique to M430T(*)EN11

Reference Number and Description	Part Number
1 3" Draft Diverter	243-17971-00
2 Assembly Baffle	243-37785-31
3 Cold Water Inlet (Hydrojet) Assembly	229-39626-07
4 Hot Water Outlet / Magnesium Anode Assembly	224-38195-48
13 Assembly EN Burner	243-41868-13
15 Assembly Nat. Pilot/Therm	233-41801-02
16 Assembly Nat. Gas Feedline	233-41816-02
17 Nat. Gas Orifice #36	234-41034-36
18 Thermocouple	233-33043-16

Optional Parts Reference Number and Description

3 Cold Water Inlet (Hydrojet) Assembly (Heat Trap) (PSDTA)	229-39629-07
17 High Altitude Orifice 2000 Ft. to 5000 Ft.	234-41034-39
17 High Altitude Orifice 5000 Ft. to 8000 Ft.	234-41034-41
17 High Altitude Orifice 8000 Ft. and Above	234-41034-42

Parts Common To M-4-(CN) Models

Reference Number and Description	Part Number
5 T&P Relief Valve	230-32920-01
6 T&P Relief Valve Extender	229-19100-00
8 Drain Valve Brass	227-40995-02
20 CN (Nat.) Burner Only	228-14173-00
23 Air Shutter	239-35466-00
26 Spring Washer Crescent	239-40729-00

Optional Parts Reference Number and Description

27 Anti-Scald Valve	239-39908-02
---------------------	--------------

(*) Applies to all warranties.

Parts Unique to M4403T(*)CN12

Reference Number and Description	Part Number
1 3" Draft Diverter	243-17971-00
2 Assembly Lanced Baffle	243-41448-00
3 Cold Water Inlet (Hydrojet) Assembly	229-39625-08
4 Hot Water Outlet / Magnesium Anode Assembly	224-32731-82
7 Thermostat Robertshaw (R110RTSP)	222-41805-02
9 Inner Door	243-36739-02
10 Outer Door	243-41061-00
19 Assembly CN Burner	243-41870-14
21 Assembly Nat. Gas Pilot/Therm	233-41801-03
22 Assembly Nat. Gas Feedline	233-41817-04
24 Nat. Gas Orifice #32	234-18194-32
25 Thermocouple	233-33043-16

Optional Parts Reference Number and Description

3 Cold Water Inlet (Hydrojet) Assembly (PSDTA)	229-39628-08
3 Cold Water Inlet (Hydrojet) Assembly (Heat Trap) (PSDTA)	229-39629-11
4 Hot Water Outlet / Aluminum Anode Assembly	224-32999-06
4 Hot Water Outlet / Aluminum Anode Assembly (Heat Trap)	224-38437-01
24 High Altitude Orifice 2000 Ft. to 5000 Ft.	234-18194-36
24 High Altitude Orifice 5000 Ft. to 8000 Ft.	234-18194-37
24 High Altitude Orifice 8000 Ft. and Above	234-18194-38

Parts Unique to M475S(*)CN12

Reference Number and Description	Part Number
1 Assy-Draft Hood	243-37195-00
2 Assembly Baffle	243-37178-02
3 Cold Water Inlet (Hydrojet) Assembly	229-40963-00
4 Hot Water Outlet / Magnesium Anode Assembly	224-32758-07
7 Thermostat Robertshaw (R110RTSP)	222-41805-05
11 Inner Door	243-39207-00
12 Outer Door	243-37177-00
19 Assembly CN Burner	243-41870-16
21 Assembly Nat. Gas Pilot/Therm	233-41817-07
22 Assembly Nat. Gas Feedline	233-41801-05
24 Nat. Gas Orifice #24	234-18194-24
25 Thermocouple	233-33043-20

Optional Parts Reference Number and Description

3 Cold Water Inlet (Hydrojet) Assembly (PSDTA)	229-41212-00
4 Hot Water Outlet / Aluminum Anode Assembly	224-38508-03
24 High Altitude Orifice 2000 Ft. to 5000 Ft.	234-18194-27
24 High Altitude Orifice 5000 Ft. to 8000 Ft.	234-18194-29
24 High Altitude Orifice 8000 Ft. and Above	234-18194-29

(*) Applies to all warranties

Parts Common To M-4-(CX) Models

Reference Number and Description	Part Number
5 T&P Relief Valve	230-32920-01
6 T&P Relief Valve Extender	229-19100-00
8 Drain Valve Brass	227-40995-02
21 Air Shutter	239-35466-00
24 Spring Washer Crescent	239-40729-00

Optional Parts Reference Number and Description

27 Anti-Scald Valve	239-39908-02
---------------------	--------------

Parts Unique to M4403T(*)CX12

Reference Number and Description	Part Number
1 3" Draft Diverter	243-17971-00
2 Assembly Lanced Baffle	243-41448-00
3 Cold Water Inlet (Hydrojet) Assembly	229-39625-08
4 Hot Water Outlet / Magnesium Anode Assembly	224-32731-82
7 Thermostat Robertshaw (R110RLPTSP)	222-41807-02
9 Inner Door	243-36739-02
10 Outer Door	243-41061-00
19 Assembly CX Burner	243-41876-06
20 CX Burner Only	228-14173-00
21 Assembly LP. Pilot/Therm.	233-41802-01
22 Assembly LP. Gas Feedline	233-41818-02
24 LP. Gas Orifice #50	234-35928-50
25 Thermocouple	233-33043-16

Optional Parts Reference Number and Description

3 Cold Water Inlet (Hydrojet) Assembly (PSDTA)	229-39628-08
3 Cold Water Inlet (Hydrojet) Assembly (Heat Trap) (PSDTA)	229-39629-11
4 Hot Water Outlet / Aluminum Anode Assembly	224-32999-06
4 Hot Water Outlet / Aluminum Anode Assembly (Heat Trap)	224-38437-01
24 High Altitude Orifice 2000 Ft. to 5000 Ft.	234-35928-51
24 High Altitude Orifice 5000 Ft. to 8000 Ft.	234-35928-52
24 High Altitude Orifice 8000 Ft. and Above	234-35928-52

Parts Unique to M4403T(*)CX13

Reference Number and Description	Part Number
1 3" Draft Diverter	243-17971-00
2 Assembly Lanced Baffle	243-41448-00
3 Cold Water Inlet (Hydrojet) Assembly	229-39626-11
4 Hot Water Outlet / Magnesium Anode Assembly	224-38195-48
7 Thermostat Robertshaw (R110RLPTSP)	222-41807-02
9 Inner Door	243-36739-02
10 Outer Door	243-41061-00
19 Assembly CX Burner	243-41876-06
20 CX Burner Only	228-14173-00
21 Assembly LP. Pilot/Therm.	233-41802-01
22 Assembly LP. Gas Feedline	233-41818-02
24 LP. Gas Orifice #50	234-35928-50
25 Thermocouple	233-33043-16

Optional Parts Reference Number and Description

3 Cold Water Inlet (Hydrojet) Assembly (Heat Trap) (PSDTA)	229-39629-11
4 Hot Water Outlet / Aluminum Anode Assembly (Heat Trap)	224-38437-01
24 High Altitude Orifice 2000 Ft. to 5000 Ft.	234-35928-51
24 High Altitude Orifice 5000 Ft. to 8000 Ft.	234-35928-52
24 High Altitude Orifice 8000 Ft. and Above	234-35928-52

(*) Applies to all warranties.

Parts Unique to M430T(*)CX10

Reference Number and Description	Part Number
1 3" Draft Diverter	243-17971-00
2 Assembly Lanced Baffle	243-37785-31
3 Cold Water Inlet (Hydrojet) Assembly	229-39625-07
4 Hot Water Outlet / Magnesium Anode Assembly	224-32731-82
7 Thermostat Robertshaw (R110RLPTSP)	222-41807-02
9 Inner Door	243-36739-02
10 Outer Door	243-41061-00
19 Assembly CX Burner	243-41877-04
20 CX Burner Only	228-37743-00
21 Assembly LP. Pilot/Therm.	233-41802-01
22 Assembly LP. Gas Feedline	233-41818-02
24 LP. Gas Orifice #60	234-35928-60
25 Thermocouple	233-33043-16

Optional Parts Reference Number and Description

3 Cold Water Inlet (Hydrojet) Assembly (PSDTA)	229-39628-07
3 Cold Water Inlet (Hydrojet) Assembly (Heat Trap) (PSDTA)	229-39629-07
4 Hot Water Outlet / Aluminum Anode Assembly	224-32999-06
4 Hot Water Outlet / Aluminum Anode Assembly (Heat Trap)	224-38437-01
24 High Altitude Orifice 2000 Ft. to 5000 Ft.	234-35928-54
24 High Altitude Orifice 5000 Ft. to 8000 Ft.	234-35928-54
24 High Altitude Orifice 8000 Ft. and Above	234-35928-54

Parts Unique to M450S(*)CX12

Reference Number and Description	Part Number
1 3" Draft Diverter	243-17971-00
2 Assembly Lanced Baffle	243-41448-00
3 Cold Water Inlet (Hydrojet) Assembly	229-39625-06
4 Hot Water Outlet / Magnesium Anode Assembly	224-32731-82
7 Thermostat Robertshaw (R110RLPTSP)	222-41807-02
9 Inner Door 243-36739-02	
10 Outer Door 243-41061-00	
19 Assembly CX Burner	243-41876-03
20 CX Burner Only	228-14173-00
21 Assembly LP. Pilot/Therm.	233-41802-02
22 Assembly LP. Gas Feedline	233-41818-03
24 LP. Gas Orifice #50	234-35928-50
25 Thermocouple	233-33043-18

Optional Parts Reference Number and Description

3 Cold Water Inlet (Hydrojet) Assembly (PSDTA)	229-39628-06
3 Cold Water Inlet (Hydrojet) Assembly (Heat Trap) (PSDTA)	229-39629-06
4 Hot Water Outlet / Aluminum Anode Assembly (Heat Trap)	224-38437-01
24 High Altitude Orifice 2000 Ft. to 5000 Ft.	234-35928-51
24 High Altitude Orifice 5000 Ft. to 8000 Ft.	234-35928-52
24 High Altitude Orifice 8000 Ft. and Above	234-35928-52

(*) Applies to all warranties.

Parts Unique to M475S(*)CX12

Reference Number and Description	Part Number
1 3" Draft Diverter	243-37195-00
2 Assembly Lanced Baffle	243-37178-02
3 Cold Water Inlet (Hydrojet) Assembly	229-40963-00
4 Hot Water Outlet / Magnesium Anode Assembly	224-32758-07
7 Thermostat Robertshaw (R110RLPTSP)	222-41807-05
11 Inner Door	243-39207-00
12 Outer Door	243-37177-00
19 Assembly CX Burner	243-41876-21
20 CX Burner Only	228-14173-00
21 Assembly LP. Pilot/Therm.	233-41802-03
22 Assembly LP. Gas Feedline	233-41818-07
24 LP. Gas Orifice #40	234-35928-40
25 Thermocouple	233-33043-20

Optional Parts Reference Number and Description

3 Cold Water Inlet (Hydrojet) Assembly (PSDTA)	229-41212-00
4 Hot Water Outlet / Aluminum Anode Assembly	224-33058-03
24 High Altitude Orifice 2000 Ft. to 5000 Ft.	234-35928-42
24 High Altitude Orifice 5000 Ft. to 8000 Ft.	234-35928-44
24 High Altitude Orifice 8000 Ft. and Above	234-35928-44

Parts Unique to M4503(*)CX10

Reference Number and Description	Part Number
1 3" Draft Diverter	243-17971-00
2 Assembly Baffle	243-37785-51
3 Cold Water Inlet (Hydrojet) Assembly	229-39625-07
4 Hot Water Outlet / Magnesium Anode Assembly	224-32731-82
7 Thermostat Robertshaw (R110RLPTSP)	222-41807-02
11 Inner Door	243-36739-02
12 Outer Door	243-41061-00
19 Assembly CX Burner	243-41876-03
20 CX Burner Only	228-14173-00
21 Assembly LP. Pilot/Therm.	233-41802-02
22 Assembly LP. Gas Feedline	233-41818-03
24 LP. Gas Orifice #50	234-35928-50
25 Thermocouple	233-33043-18

Optional Parts Reference Number and Description

3 Cold Water Inlet (Hydrojet) Assembly (PSDTA)	229-39626-07
4 Hot Water Outlet / Aluminum Anode Assembly	224-32999-06
24 High Altitude Orifice 2000 Ft. to 5000 Ft.	234-35928-51
24 High Altitude Orifice 5000 Ft. to 8000 Ft.	234-35928-52
24 High Altitude Orifice 8000 Ft. and Above	234-35928-53

(*) Applies to all warranties.

Parts Unique to M4504S(*)CX10

Reference Number and Description	Part Number
1 4" Draft Diverter	239-12950-00
2 Assembly Lanced Baffle	243-41449-00
3 Cold Water Inlet (Hydrojet) Assembly	229-39625-06
4 Hot Water Outlet / Magnesium Anode Assembly	224-32731-82
7 Thermostat Robertshaw (R110RLPTSP)	222-41807-02
11 Inner Door	243-36739-02
12 Outer Door	243-41061-00
19 Assembly CX Burner	243-41876-08
20 CX Burner Only	228-14173-00
21 Assembly LP. Pilot/Therm.	233-41802-02
22 Assembly LP. Gas Feedline	233-41818-03
24 LP. Gas Orifice #47	234-35928-47
25 Thermocouple	233-33043-18

Optional Parts Reference Number and Description

3 Cold Water Inlet (Hydrojet) Assembly (PSDTA)	229-39628-06
4 Hot Water Outlet / Aluminum Anode Assembly	224-32999-06
24 High Altitude Orifice 2000 Ft. to 5000 Ft.	234-35928-49
24 High Altitude Orifice 5000 Ft. to 8000 Ft.	234-35928-50
24 High Altitude Orifice 8000 Ft. and Above	234-35928-51

Parts Unique to M4403S(*)CX12

Reference Number and Description	Part Number
1 3" Draft Diverter	243-17971-00
2 Assembly Lanced Baffle	243-41447-00
3 Cold Water Inlet (Hydrojet) Assembly	229-39625-03
4 Hot Water Outlet / Magnesium Anode Assembly2	224-32731-81
7 Thermostat Robertshaw (R110RLPTSP)	222-41807-02
11 Inner Door	243-36739-02
12 Outer Door	243-41061-00
19 Assembly CX Burner	243-41876-03
20 CX Burner Only	228-14173-00
21 Assembly LP. Pilot/Therm.	233-41802-02
22 Assembly LP. Gas Feedline	233-41818-03
24 LP. Gas Orifice #50	234-35928-50
25 Thermocouple	233-33043-18

Optional Parts Reference Number and Description

3 Cold Water Inlet (Hydrojet) Assembly (PSDTA)	229-39628-03
4 Hot Water Outlet / Aluminum Anode Assembly	224-32999-10
24 High Altitude Orifice 2000 Ft. to 5000 Ft.	234-35928-51
24 High Altitude Orifice 5000 Ft. to 8000 Ft.	234-35928-52
24 High Altitude Orifice 8000 Ft. and Above	234-35928-53

(*) Applies to all warranties.

Parts Unique to M4403(*)CX13

Reference Number and Description	Part Number
1 3" Draft Diverter	243-17971-00
2 Assembly Lanced Baffle	243-41447-00
3 Cold Water Inlet (Hydrojet) Assembly	229-39629-03
4 Hot Water Outlet / Magnesium Anode Assembly	224-38195-47
7 Thermostat Robertshaw (R110RLPTSP)	222-41807-02
11 Inner Door	243-36739-02
12 Outer Door	243-41061-00
19 Assembly CX Burner	243-41876-03
20 CX Burner Only	228-14173-00
21 Assembly LP. Pilot/Therm.	233-41802-02
22 Assembly LP. Gas Feedline	233-41818-03
24 LP. Gas Orifice #50	234-35928-50
25 Thermocouple	233-33043-18

Optional Parts Reference Number and Description

3 Cold Water Inlet (Hydrojet) Assembly (Heat Trap)	229-39626-03
4 Hot Water Outlet / Aluminum Anode Assembly (Heat Trap)	224-38437-05
24 High Altitude Orifice 2000 Ft. to 5000 Ft.	234-35928-51
24 High Altitude Orifice 5000 Ft. to 8000 Ft.	234-35928-52
24 High Altitude Orifice 8000 Ft. and Above	234-35928-53

(*) Applies to all warranties.



BRADFORD WHITE®

C O R P O R A T I O N

200 Lafayette Street
Middleville, Michigan 49333

Sales/800-538-2020
800-532-4020
Fax/215-641-1670

Service/800-334-3393
Fax/616-795-1089

Warranty/800-531-2111
Fax/616-795-1089

International:
Telephone/215-641-9400
Telefax/215-641-9750

In Canada:
Sales/800-523-2931
Fax/215-641-9750

Service/800-334-3393
Fax/616-795-1089

Fax on Demand:
888-538-7833

www.bradfordwhite.com