



RESIDENTIAL & LIGHT DUTY COMMERCIAL REPLACEMENT PARTS LIST

Power Direct Vent Models



“PDX”, “PDX1”, and “PDX2” Series

DEFENDER
SAFETY SYSTEM®

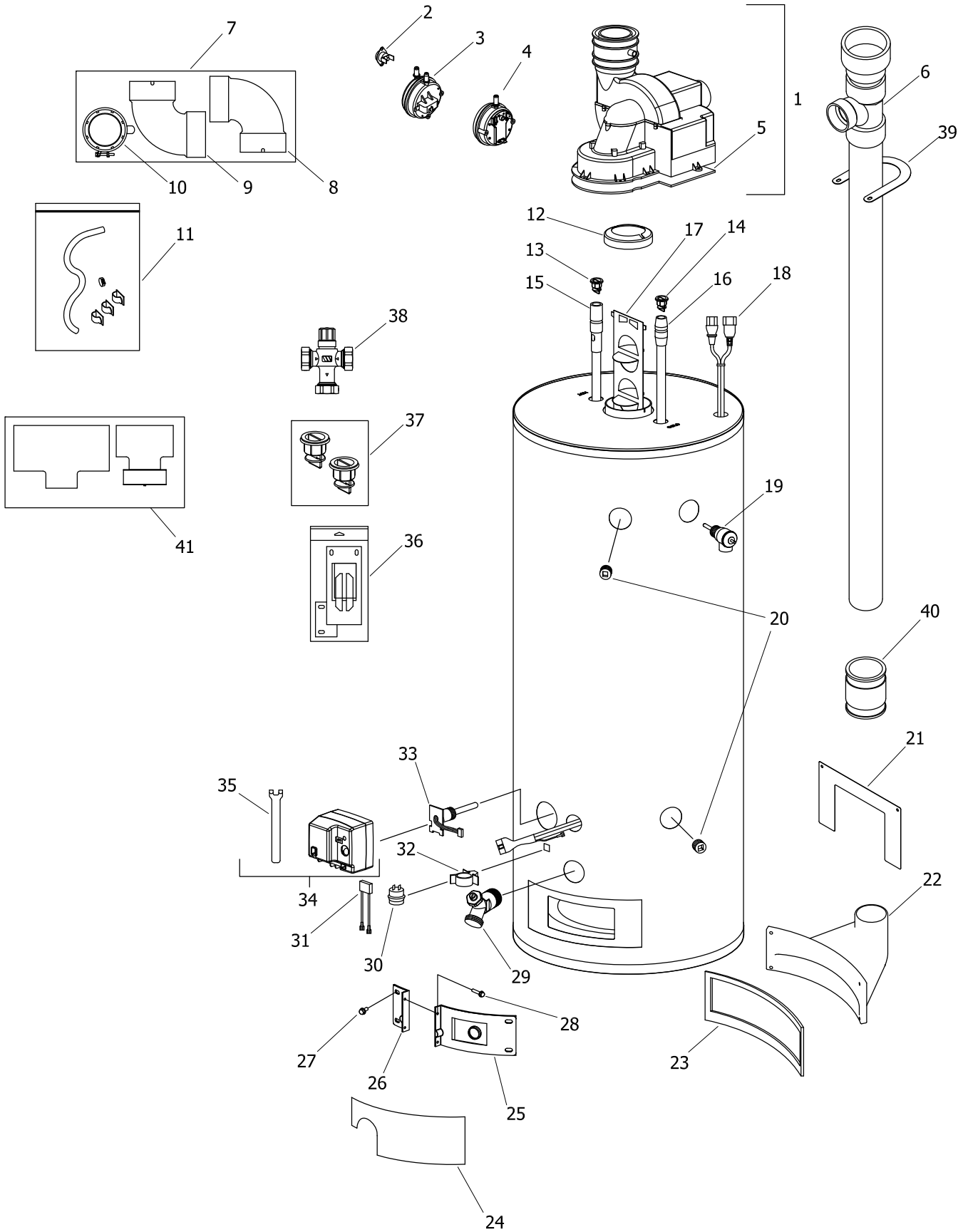
Includes Hydrojet®
Total Performance System

Effective: February, 2011
ECO 7594

**NOTE: BOTH MODEL AND SERIAL
NUMBERS ARE REQUIRED FOR
ORDERING REPLACEMENT PARTS**

Dimensions and specifications
subject to change without notice.

(PDX1-40S6FBN Model Shown)



Item Description	Model	Model	Model	Model
	PDX140S*F(BN,SX)	PDX150S*F(BN,SX)	PDX250T*F(BN, SX, CX)	PDX265T*F(BN, SX, CX)
1 Blower Assembly (Normal Alt.)	---	---	265-46719-00 †	265-46719-00 †
Blower Assembly (Normal alt.)	265-47386-00	265-47386-00	265-47387-00 ‡	265-47387-00 ‡
Blower Assembly (High Alt.)	---	---	243-46881-00 †	243-46881-00 †
Blower Assembly (High alt.)	265-47386-00 ¹	265-47386-00 ¹	265-47387-00 ■	265-47387-00 ■
Blower assembly (High Alt.)	265-48527-00 ²	243-48527-00 ²	243-48528-00 ◆	243-48528-00 ◆
2 Blower Temperature Switch	239-45865-00	239-45865-00	239-45865-00	239-45865-00
3 Pressure Switch N.O. (Normal Alt.) Exhaust	---	---	239-46880-01 †	239-46880-01 †
Pressure Switch N.O. (High Alt.) Exhaust	239-48058-02	239-48058-02	239-46880-02 ◆	239-46880-02 ◆
Pressure Switch N.O. (Normal Alt.) Exhaust	---	---	239-48058-01 ‡	239-48058-01 ‡
Pressure Switch N.O. (High Alt.) Exhaust	---	---	239-48058-02 ‡	239-48058-02 ‡
4 Pressure Switch N.C. Intake	---	---	239-46879-01 †	239-46879-01 †
5 Blower Gasket	239-45866-00	239-45866-00	239-45866-00	239-45866-00
6 Tee and vent pipe Assembly	---	---	239-46823-01 †	239-46823-02 †
Tee and vent pipe Assembly	239-47622-05 ‡	239-47622-02 ‡	239-47622-01 ‡	239-47622-03 ‡
7 Vent Adapter with Vent Terminal	239-47992-00	239-47992-00	239-48781-00	239-48781-00
8 Intake Vent Terminal Elbow	239-39831-00	239-39831-00	239-40579-00	239-40579-00
9 Exhaust Vent Terminal Elbow	239-39831-00	239-39831-00	239-40579-00	239-40579-00
10 Exhaust Adapter	239-45709-00	239-45709-00	239-45639-00	239-45639-00
11 Condensate Hose Kit (Optional)	239-45875-00	239-45875-00	239-45875-00	239-45875-00
12 Flue Reducer	243-42572-00	243-42572-00	243-42572-00	243-42572-00
13 Heat Trap Insert (Outlet)	239-45167-00	239-45167-00	239-45167-00	239-45167-00
14 Heat Trap Insert (Inlet)	239-45073-00	239-45073-00	239-45073-00	239-45073-00
15 Hot Water Outlet Anode Magnesium ▲	224-47776-09	224-47776-10	224-47776-12	224-47776-08
Aluminum ▲ (optional)	224-47778-09	224-47778-10	224-47778-12	224-47778-08
A420 Aluminum ▲ (optional)	224-45147-03	224-45147-03	224-45147-03	224-45147-03
16 Cold Water Inlet Dip Tube Polypropylene ▲▲	229-39625-20	229-39625-20	229-39625-17	229-45398-07
Polysulfone (NC Code) ▲▲	229-39628-17	229-39628-17	229-39628-17	229-45092-04
17 Flue Baffle	239-45373-00	239-45373-00	239-45373-00	239-45373-00
18 Blower Harness	239-45617-01	239-45617-01	239-45617-02	239-45617-02
19 T&P Relief Valve	---	---	230-40594-02 †	230-32920-01 †
T&P Relief Valve	230-32920-01	230-32920-01	230-40594-02 ‡	230-40594-02 ‡
20 3/4 NPT Plug	239-11638-00	239-11638-00	239-11638-00	239-11638-00
21 Air Intake Boot Escutcheon	---	---	243-46922-00 †	243-46922-00 †
22 Air Intake Boot	---	---	239-46756-01 †	239-46756-02 †
Air Intake Boot	239-47514-18	239-47514-20	239-47514-18 ‡	239-47514-20 ‡
23 Air Intake Boot Gasket	---	---	239-41067-00 †	239-41067-00 †
Air Intake Boot Gasket	239-47832-00	239-47832-00	239-47832-00 ‡	239-47832-00 ‡
24 Outer Door	243-43962-00	243-43962-00	243-43962-00	243-43962-00
25 Right Side Inner Door	---	---	239-45642-18 †	239-45642-20 †
Right Side Inner Door	239-45642-18	239-45642-20	239-45642-18 ‡	239-45642-20 ‡
26 Left Side Inner Door	239-43968-18	239-43968-20	239-43968-18	239-43968-20
27 Screw-#10-12 x 3/4 HWH	239-44113-00	239-44113-00	239-44113-00	239-44113-00

*Applies to all warranties

**Inner door gasket kit recommended

***Ordering a complete burner assembly may increase delivery time.

Please order the specific component required for the quickest delivery.

▲ Order with item 13

▲▲ Order with item 14

† Serial # Prior to FF12046598.

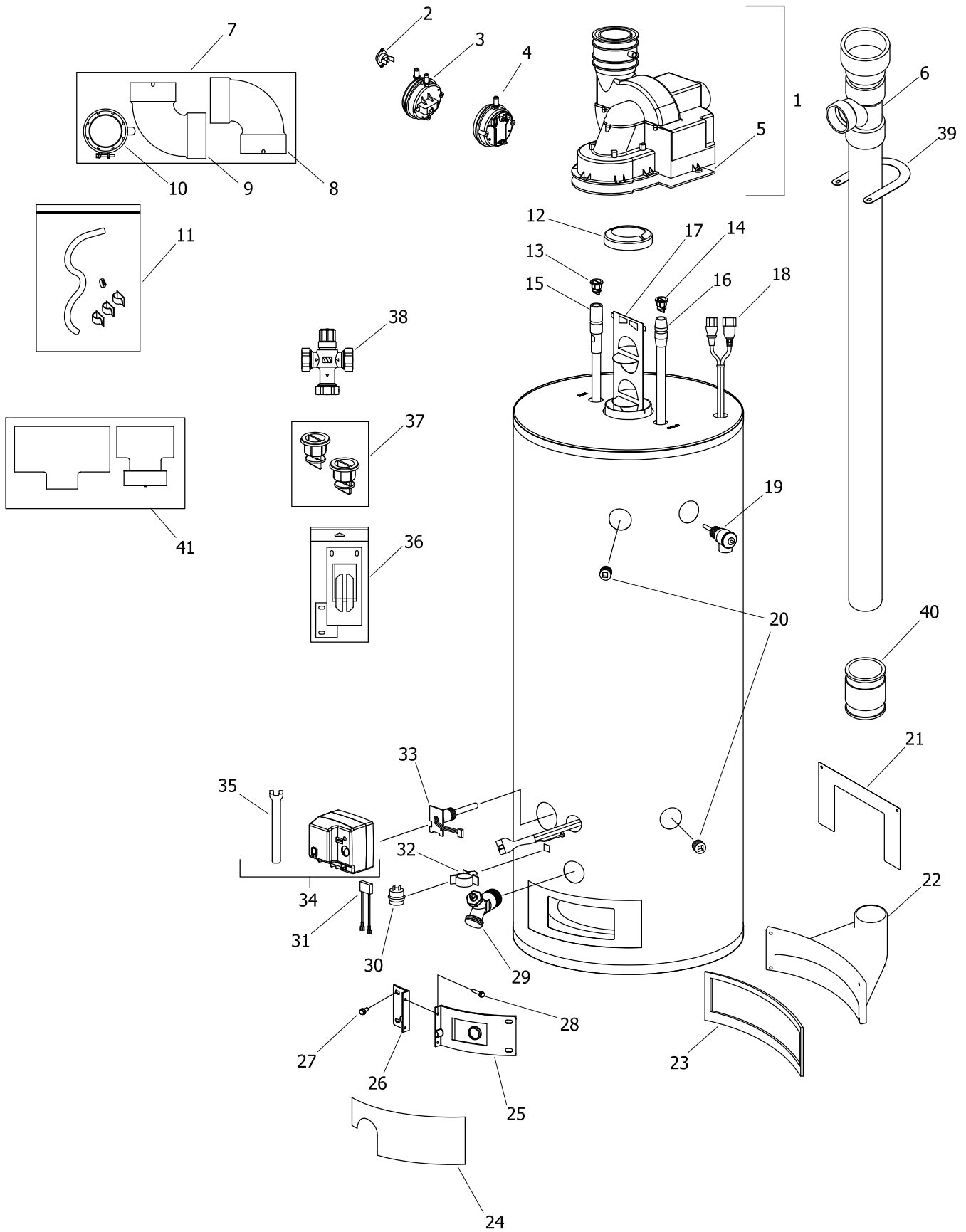
‡ Serial # FF12046598 and after.

■ Serial # FF12046598 to GF13535156.

◆ Serial # GF13535157 and after.

¹ Prior to serial # GK14048618.

² Serial # GK14048618 and after.



Item Description	Model	Model	Model	Model
	PDX140S*F(BN,SX)	PDX150S*F(BN,SX)	PDX250T*F(BN, SX, CX)	PDX265T*F(BN, SX, CX)
28 Screw-#8-18 x 3/4 HWH	239-44195-00	239-44195-00	239-44195-00	239-44195-00
29 Brass Drain Valve	265-42351-02	265-42351-02	265-42351-02	265-42351-02
30 Flammable Vapor Sensor	239-45560-00	239-45560-00	239-45560-00	239-45560-00
31 Sensor Harness	239-45620-00	239-45620-00	239-45620-00	239-45620-00
32 Flammable Vapor Sensor Clip	239-45648-00	239-45648-00	239-45648-00	239-45648-00
33 Thermal Well	---	---	233-45651-02 †	233-45651-01 †
Thermal Well	233-45651-01	233-45651-01	233-45651-02 ‡	233-45651-02 ‡
34 Gas Valve Natural Gas	239-45613-01	239-45613-01	239-45613-01	239-45613-01
Gas Valve LP Gas	239-45614-01	239-45614-01	239-45614-01	239-45614-01
35 Gas Valve Service Tool	239-45991-00	239-45991-00	239-45991-00	239-45991-00
36 Inner Door Gasket Kit	---	---	239-44078-00 †	239-44078-00 †
Inner Door Gasket Kit	239-44078-00	239-44078-00	239-44078-00 ‡	239-44078-00 ‡
37 Heat Trap Insert Kit	265-45419-00	265-45419-00	265-45419-00	265-45419-00
38 ASSE Approved Mixing Valve (Optional)	239-43740-01	239-43740-01	239-43740-01	239-43740-01
39 Bracket-Vertical intake	239-47671-02	239-47671-02	239-47671-01 ‡	239-47671-01 ‡
40 Coupling-2 X 2	239-47850-00	239-47850-00	239-47850-00 ‡	239-47850-00 ‡
41 Air Inlet Relief Device	239-48391-00	239-48391-00	239-48392-00	239-48392-00

*Applies to all warranties

**Inner door gasket kit recommended

***Ordering a complete burner assembly may increase delivery time.

Please order the specific component required for the quickest delivery.

▲ Order with item 13

▲▲ Order with item 14

† Serial # Prior to FF12046598.

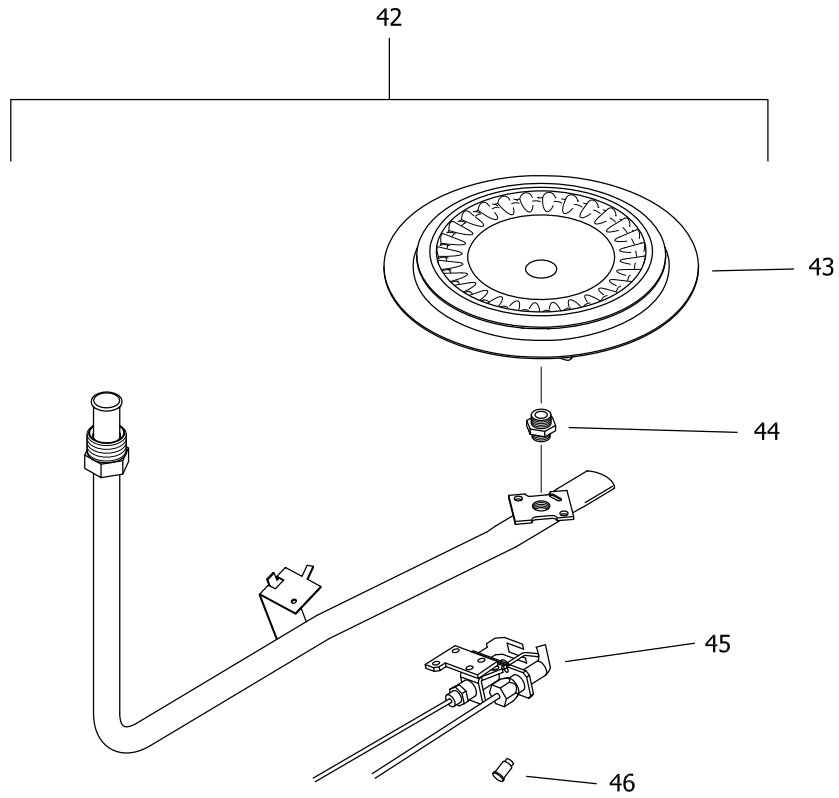
‡ Serial # FF12046598 and after.

■ Serial # FF12046598 to GF13535156.

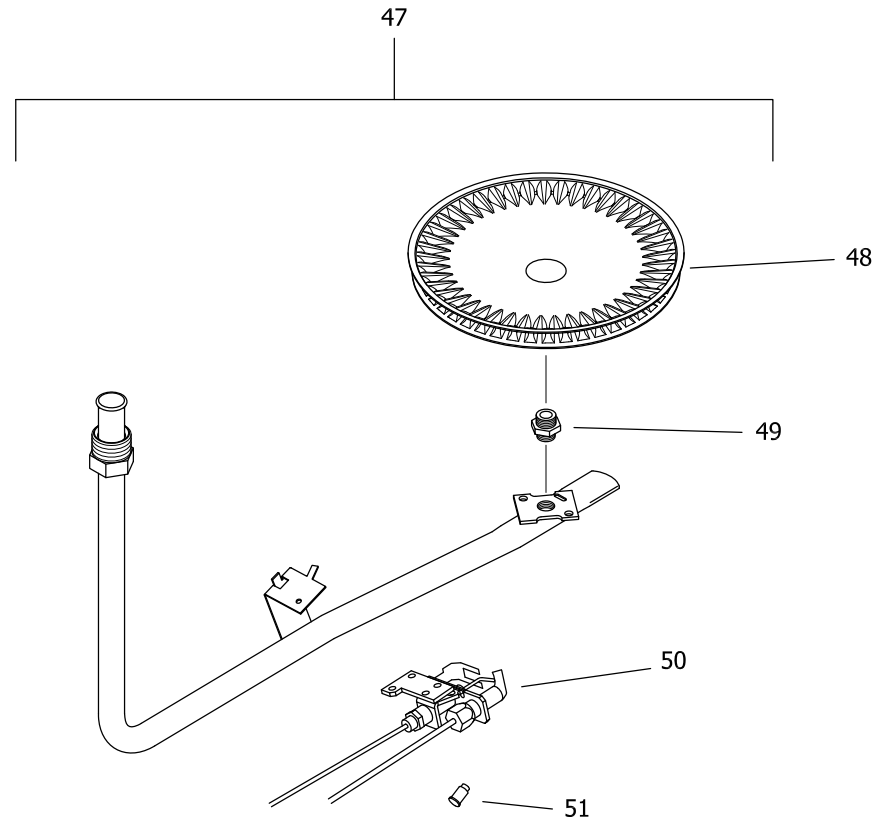
♦ Serial # GF13535157 and after.

¹ Prior to serial #GK14048618.

² Serial # GK14048618 and after.



NATURAL GAS (BN) BURNER ASSEMBLY



LP GAS (SX) BURNER ASSEMBLY

Item Description	Model PDX140S*F(BN,SX)	Model PDX150S*F(BN,SX)	Model PDX250T*F(BN, SX, CX)	Model PDX265T*F(BN, SX, CX)
Natural Gas BN Burner Assembly				
42 Nat. Gas Burner Assembly Complete***	---	---	265-47439-06-28 †	265-47439-09-27 †
Nat. Gas Burner Assembly Complete***	265-47784-01-32	265-47784-02-32	265-47784-02-28 ‡	243-47376-02-27 ‡
Nat. Gas Burner Assembly Complete***	265-47784-01-33	265-47784-02-33	265-47784-02-28 ◆	243-47376-02-27 ◆
43 Nat. Gas (BN) Burner**	228-42506-00	228-42506-00	228-42506-00	228-42506-00
44 Nat. Gas (BN) Main Burner Orifice**	234-41034-32	234-41034-32	234-41034-28	234-41034-27
Nat. Gas (BN) Main Burner Orifice**	---	---	234-41034-28 ◆	234-41034-27 ◆
Nat. Gas (BN)High Altitude 2001 Ft. to 5000 Ft.**	234-41034-33 †	234-41034-33 †	234-41034-30	234-41034-29
Nat. Gas (BN)High Altitude 2001 Ft. to 5000 Ft.**	234-41034-35 ‡	234-41034-35 ‡	234-41034-30 ◆	234-41034-29 ◆
Nat. Gas (BN)High Altitude 5001 Ft. to 8000 Ft.**	234-41034-35 †	234-41034-35 †	234-41034-31	234-41034-31
Nat. Gas (BN)High Altitude 5001 Ft. to 8000 Ft.**	234-41034-36 ‡	234-41034-36 ‡	234-41034-31	234-41034-31
Nat. Gas (BN)High Altitude Over 8000 Ft.**	234-41034-38	234-41034-38	234-41034-31	234-41034-31
45 Nat. Gas Pilot Assembly**	233-45653-05	233-45653-05	233-45653-05	233-45653-05
46 Nat. Gas Pilot Orifice**	234-45869-01	234-45869-01	234-45869-01	234-45869-01
LP Gas (SX) Titanium Stabilized Stainless Steel Burner Assembly			(Replacement for LP Gas (CX) Cast Iron Burner)	
47 LP Gas Burner Assembly Complete***	---	---	265-47440-10-44 †	265-47440-16-44 †
LP Gas Burner Assembly Complete***	265-47917-01-50	265-47917-02-50	265-47376-01-44 ‡	265-47376-02-44 ‡
48 LP Gas (SX) Burner**	228-46964-00	228-46964-00	228-47000-00	228-47000-00
49 LP Gas (SX) Main Burner Orifice**	234-47064-50	234-47064-50	234-47064-44	234-47064-44
LP Gas (SX) High Altitude 2001 Ft. to 5000 Ft.**	234-47064-51	234-47064-51	234-47064-47	234-47064-47
LP Gas (SX) High Altitude 5001 Ft. to 8000 Ft.**	234-47064-52	234-47064-52	234-47064-48	234-47064-48
LP Gas (SX) High Altitude Over 8000 Ft.**	234-47064-53	234-47064-53	234-47064-49	234-47064-49
50 LP Gas (SX) Pilot Assembly**	233-45653-04	233-45653-04	233-45653-04	233-45653-04
51 LP Gas (SX) Pilot Orifice**	234-45869-02	234-45869-02	234-45869-02	234-45869-02
LP to Natural Gas Conversion Kit (Norm Alt.)	---	---	265-46493-23 †	265-46493-24 †
LP to Natural Gas Conversion Kit (High Alt.)	---	---	265-46493-29 †	265-46493-30 †
LP to Natural Gas Conversion Kit (Norm Alt.)	265-46493-47	265-46493-48	265-46493-49 ‡	265-46493-50 ‡
LP to Natural Gas Conversion Kit (High Alt.)	265-46493-55	265-46493-56	265-46493-57 ‡	265-46493-58 ‡

*Applies to all warranties

**Inner door gasket kit recommended

***Ordering a complete burner assembly may increase delivery time.

Please order the specific component required for the quickest delivery.

▲ Order with item 13

▲▲ Order with item 14

† Serial # Prior to FF12046598.

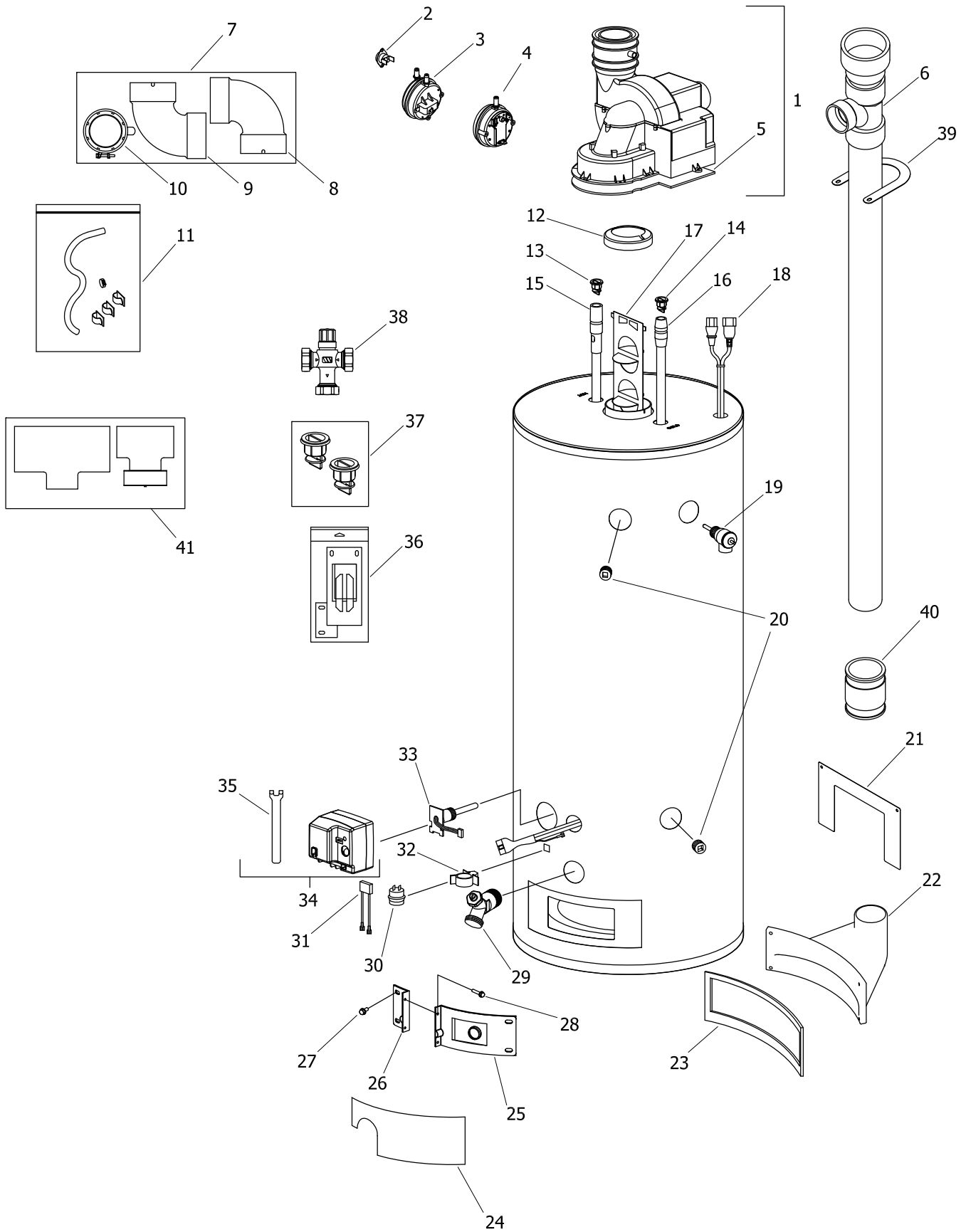
‡ Serial # FF12046598 and after.

■ Serial # FF12046598 to GF13535156.

◆ Serial # GF13535157 and after.

¹ Prior to serial #GK14048618.

² Serial # GK14048618 and after.



Item	Description	Model	Model	Model	Model
		PDX275T*F(BN, SX, CX)	PDX50S60F(B*N, S*X, C*X)	PDX65S65F(B*N, S*X, C*X)	PDX75S70F(B*N, S*X, C*X)
1	Blower Assembly (Normal Alt.)	265-46719-00 †	265-46719-00 †	265-46719-00 †	265-46719-00 †
	Blower Assembly (Normal alt.)	265-47387-00 ‡	265-47387-00 ‡	265-47387-00 ‡	265-47387-00 ‡
	Blower Assembly (High Alt.)	243-46881-00 †	243-46881-00 †	243-46881-00 †	243-46881-00 †
	Blower Assembly (High alt.)	265-47387-00 ■	265-47387-00 ■	265-47387-00 ■	265-47387-00 ■
	Blower assembly (High Alt.)	243-48528-00 ♦	243-48528-00 ♦	243-48528-00 ♦	243-48528-00 ♦
2	Blower Temperature Switch	239-45865-00	239-45865-00	239-45865-00	239-45865-00
3	Pressure Switch N.O. (Normal Alt.) Exhaust	239-46880-01 †	239-46880-01 †	239-46880-01 †	239-46880-01 †
	Pressure Switch N.O. (High Alt.) Exhaust	239-46880-02 ♦	239-46880-02 ♦	239-46880-02 ♦	239-46880-02 ♦
	Pressure Switch N.O. (Normal Alt.) Exhaust	239-48058-01 ‡	239-48058-01 ‡	239-48058-01 ‡	239-48058-01 ‡
	Pressure Switch N.O. (High Alt.) Exhaust	239-48058-02 ‡	239-48058-02 ‡	239-48058-02 ‡	239-48058-02 ‡
4	Pressure Switch N.C. Intake	239-46879-01 †	239-46879-01 †	239-46879-01 †	239-46879-01 †
5	Blower Gasket	239-45866-00	239-45866-00	239-45866-00	239-45866-00
6	Tee and vent pipe Assembly	239-46823-03 †	239-46823-01 †	239-46823-02 †	239-46823-03 †
	Tee and vent pipe Assembly	239-47622-04 ‡	239-47622-01 ‡	239-47622-03 ‡	239-47622-04 ‡
7	Vent Adapter with Vent Terminal	239-48781-00	239-48781-00	239-48781-00	239-48781-00
8	Intake Vent Terminal Elbow	239-40579-00	239-40579-00	239-40579-00	239-40579-00
9	Exhaust Vent Terminal Elbow	239-40579-00	239-40579-00	239-40579-00	239-40579-00
10	Exhaust Adapter	239-45639-00	239-45639-00	239-45639-00	239-45639-00
11	Condensate Hose Kit (Optional)	239-45875-00	239-45875-00	239-45875-00	239-45875-00
12	Flue Reducer	---	243-42572-00	243-42572-00	---
13	Heat Trap Insert (Outlet)	239-45167-00	239-45167-00	239-45167-00	239-45167-00
14	Heat Trap Insert (Inlet)	239-45073-00	239-45073-00	239-45073-00	239-45073-00
15	Hot Water Outlet Anode Magnesium ▲	224-47776-07	224-47776-12	224-47776-08	224-47776-07
	Aluminum ▲ (optional)	224-47778-07	224-47778-12	224-47778-08	224-47778-07
	A420 Aluminum ▲ (optional)	224-45147-03	224-45147-03	224-45147-03	224-45147-03
16	Cold Water Inlet Dip Tube Polypropylene ▲▲	229-45398-07	229-39625-19	229-45398-02	229-45398-07
	Polysulfone (NC Code)▲▲	229-45092-04	229-39628-19	229-45092-03	229-45092-04
17	Flue Baffle	239-42899-00	239-45373-00	239-45373-00	239-42899-00
18	Blower Harness	239-45617-02	239-45617-02	239-45617-02	239-45617-02
19	T&P Relief Valve	230-40594-02 †	230-40594-02 †	230-32920-01 †	230-40594-02 †
	T&P Relief Valve	230-40594-02 ‡	230-40594-02 ‡	230-40594-02 ‡	230-40594-02 ‡
20	3/4 NPT Plug	239-11638-00	239-11638-00	239-11638-00	239-11638-00
21	Air Intake Boot Escutcheon	243-46922-00 †	243-46922-00 †	243-46922-00 †	243-46922-00 †
22	Air Intake Boot	239-46756-03 †	239-46756-01 †	239-46756-02 †	239-46756-03 †
	Air Intake Boot	239-47514-22 ‡	239-47514-18 ‡	239-47514-20 ‡	239-47514-22 ‡
23	Air Intake Boot Gasket	239-41067-00 †	239-41067-00 †	239-41067-00 †	239-41067-00 †
	Air Intake Boot Gasket	239-47832-00 ‡	239-47832-00 ‡	239-47832-00 ‡	239-47832-00 ‡
24	Outer Door	243-43962-00	243-43962-00	243-43962-00	243-43962-00
25	Right Side Inner Door	239-45642-20 †	239-45642-18 †	239-45642-20 †	239-45642-20 †
	Right Side Inner Door	239-47504-22 ‡	239-45642-18 ‡	239-45642-20 ‡	239-47504-22 ‡
26	Left Side Inner Door	239-43968-20	239-43968-18	239-43968-20	239-43968-20
27	Screw-#10-12 x 3/4 HWH	239-44113-00	239-44113-00	239-44113-00	239-44113-00

*Applies to all warranties

**Inner door gasket kit recommended

***Ordering a complete burner assembly may increase delivery time.

Please order the specific component required for the quickest delivery.

▲ Order with item 13

▲▲ Order with item 14

† Serial # Prior to FF12046598.

‡ Serial # FF12046598 and after.

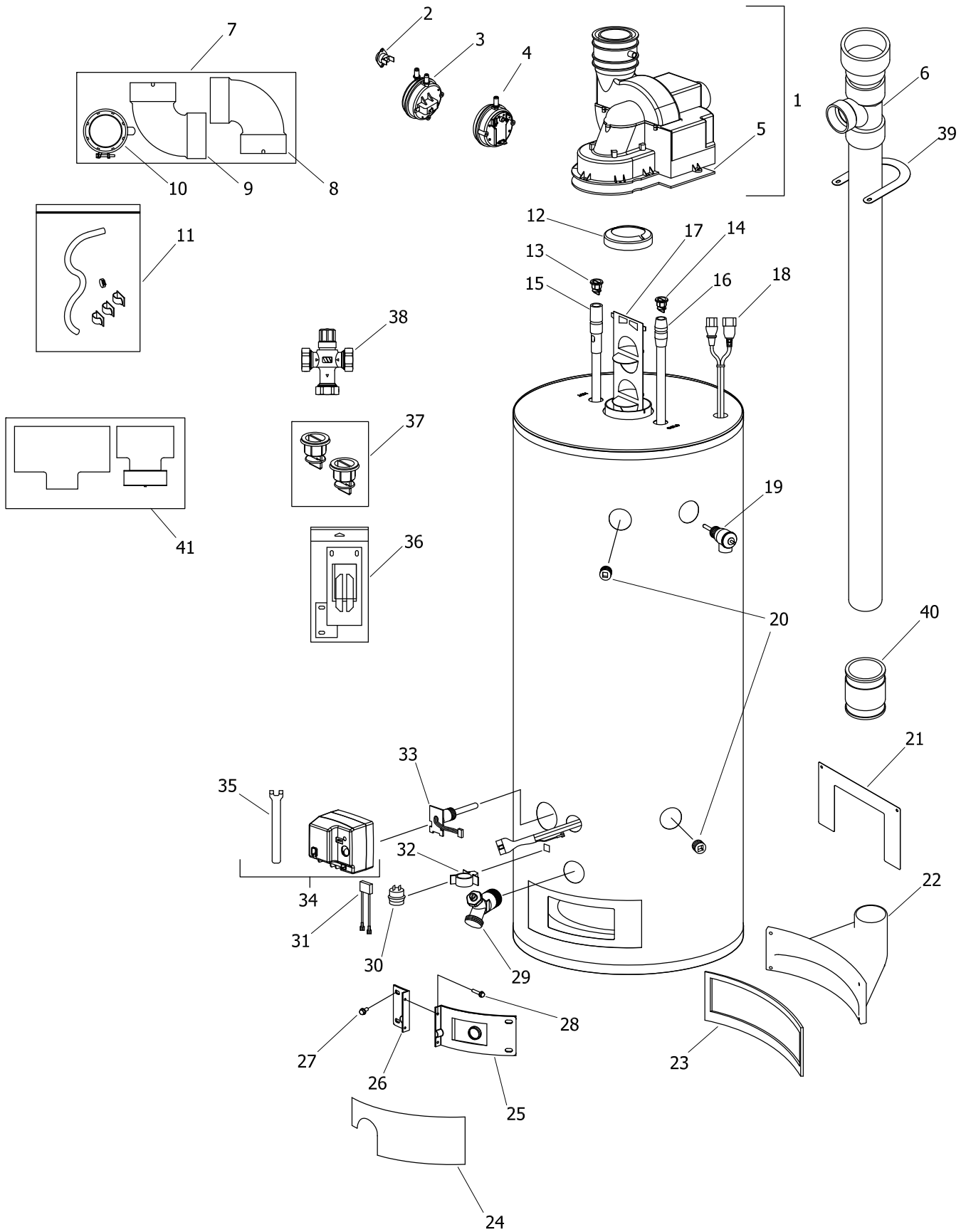
■ Serial # FF12046598 to GF13535156.

♦ Serial # GF13535157 and after.

¹ Prior to serial # GK14048618.

² Serial # GK14048618 and after.





Item Description	Model	Model	Model	Model
	PDX275T*F(BN, SX, CX)	PDX50S60F(B*N, S*X, C*X)	PDX65S65F(B*N, S*X, C*X)	PDX75S70F(B*N, S*X, C*X)
28 Screw-#8-18 x 3/4 HWH	239-44195-00	239-44195-00	239-44195-00	239-44195-00
29 Brass Drain Valve	265-42351-02	265-42351-02	265-42351-02	265-42351-02
30 Flammable Vapor Sensor	239-45560-00	239-45560-00	239-45560-00	239-45560-00
31 Sensor Harness	239-45620-00	239-45620-00	239-45620-00	239-45620-00
32 Flammable Vapor Sensor Clip	239-45648-00	239-45648-00	239-45648-00	239-45648-00
33 Thermal Well	233-45651-02 †	233-45651-02 †	233-45651-01 †	233-45651-02 †
Thermal Well	233-45651-02 ‡	233-45651-02 ‡	233-45651-02 ‡	233-45651-02 ‡
34 Gas Valve Natural Gas	239-45613-01	239-45613-02	239-45613-02	239-45613-02
Gas Valve LP Gas	239-45614-01	239-45614-02	239-45614-02	239-45614-02
35 Gas Valve Service Tool	239-45991-00	239-45991-00	239-45991-00	239-45991-00
36 Inner Door Gasket Kit	239-44078-00 †	239-44078-00 †	239-44078-00 †	239-44078-00 †
Inner Door Gasket Kit	239-47792-00 ‡	239-44078-00 ‡	239-44078-00 ‡	239-47792-00 ‡
37 Heat Trap Insert Kit	265-45419-00	265-45419-00	265-45419-00	265-45419-00
38 ASSE Approved Mixing Valve (Optional)	239-43740-01	239-43740-01	239-43740-01	239-43740-01
39 Bracket-Vertical intake	239-47671-01 ‡	239-47671-01 ‡	239-47671-01 ‡	239-47671-01 ‡
40 Coupling-2 X 2	239-47850-00 ‡	239-47850-00 ‡	239-47850-00 ‡	239-47850-00 ‡
41 Air Inlet Relief Device	239-48392-00	239-48392-00	239-48392-00	239-48392-00

*Applies to all warranties

**Inner door gasket kit recommended

***Ordering a complete burner assembly may increase delivery time.

Please order the specific component required for the quickest delivery.

▲ Order with item 13

▲▲ Order with item 14

† Serial # Prior to FF12046598.

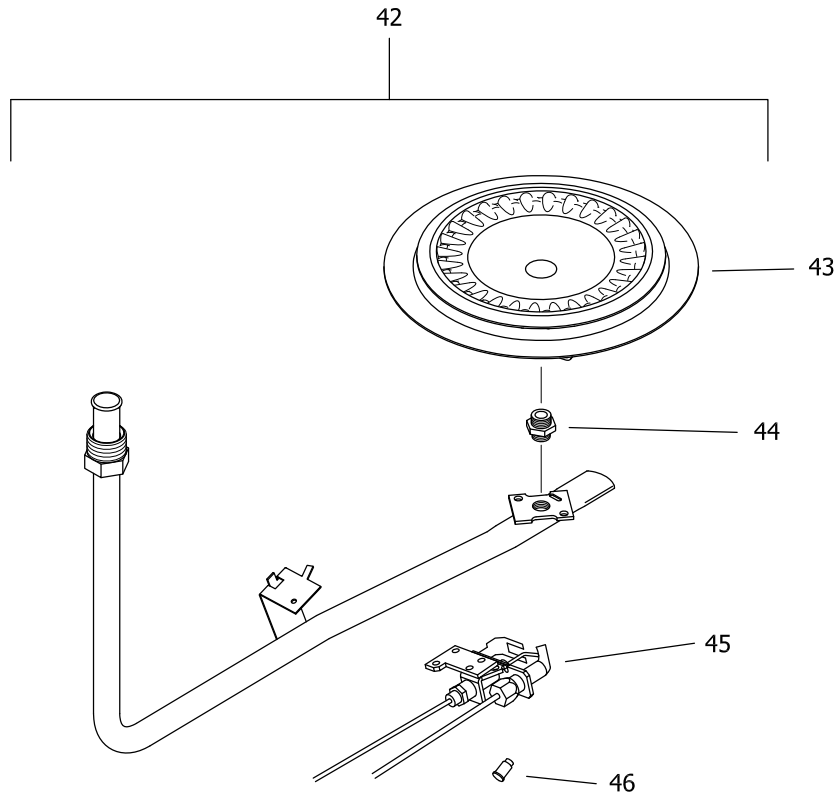
‡ Serial # FF12046598 and after.

■ Serial # FF12046598 to GF13535156.

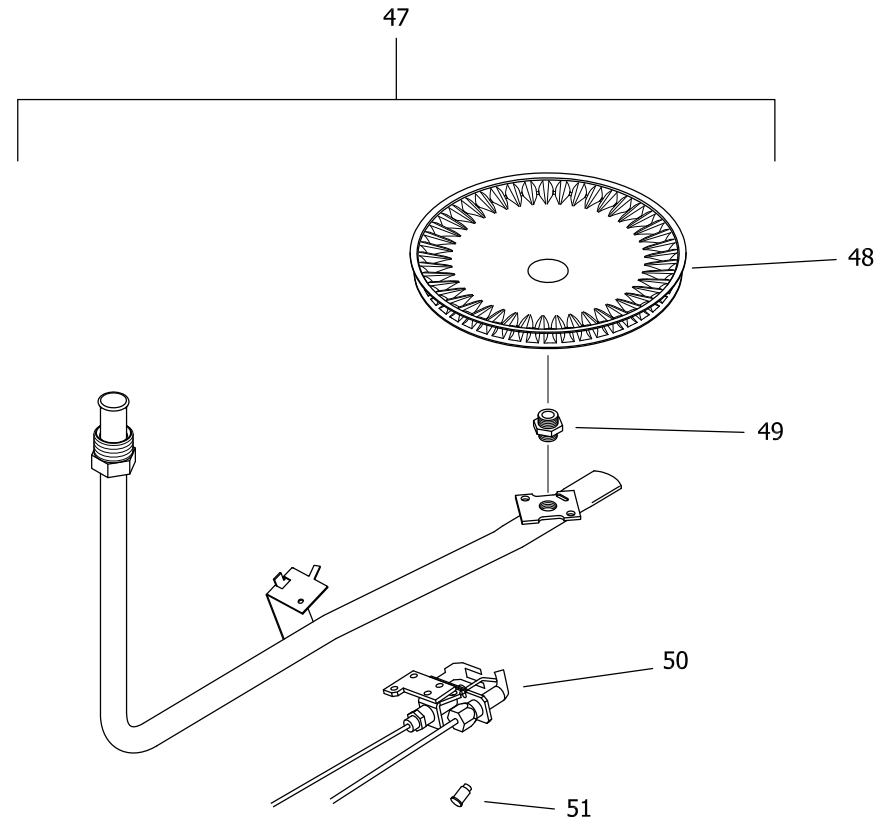
♦ Serial # GF13535157 and after.

¹ Prior to serial #G K14048618.

² Serial # GK14048618 and after.



NATURAL GAS (BN) BURNER ASSEMBLY



LP GAS (SX) BURNER ASSEMBLY

Item Description	Model	Model	Model	Model
	PDX275T*F(BN, SX, CX)	PDX50S60F(B*N, S*X, C*X)	PDX65S65F(B*N, S*X, C*X)	PDX75S70F(B*N, S*X, C*X)
Natural Gas BN Burner Assembly				
42 Nat. Gas Burner Assembly Complete***	265-45652-05-25 †	265-47439-06-28 †	265-47439-09-27 †	265-45652-05-25 †
Nat. Gas Burner Assembly Complete***	265-47785-01-25 ‡	265-47784-02-28 ‡	265-47376-02-27 ‡	265-47785-01-25 ‡
Nat. Gas Burner Assembly Complete***	265-47785-01-25 ◆	265-47784-02-28 ◆	265-47376-02-27 ◆	265-47785-01-25 ◆
43 Nat. Gas (BN) Burner**	228-47000-00	228-42506-00	228-42506-00	228-47000-00
44 Nat. Gas (BN) Main Burner Orifice**	234-41034-25	234-41034-28	234-41034-27	234-41034-25
Nat. Gas (BN) Main Burner Orifice**	234-41034-25 ◆	234-41034-28 ◆	234-41034-27 ◆	234-41034-25 ◆
Nat. Gas (BN)High Altitude 2001 Ft. to 5000 Ft.**	234-41034-27	234-41034-30	234-41034-29	234-41034-27
Nat. Gas (BN)High Altitude 2001 Ft. to 5000 Ft.**	234-41034-27 ◆	234-41034-30 ◆	234-41034-29 ◆	234-41034-27 ◆
Nat. Gas (BN)High Altitude 5001 Ft. to 8000 Ft.**	234-41034-30	234-41034-31	234-41034-31	234-41034-30
Nat. Gas (BN)High Altitude 5001 Ft. to 8000 Ft.**	234-41034-30	234-41034-31	234-41034-31	234-41034-30
Nat. Gas (BN)High Altitude Over 8000 Ft.**	234-41034-30	234-41034-31	234-41034-31	234-41034-30
45 Nat. Gas Pilot Assembly**	233-45653-05	233-45653-05	233-45653-05	233-45653-05
46 Nat. Gas Pilot Orifice**	234-45869-01	234-45869-01	234-45869-01	234-45869-01
LP Gas (SX) Titanium Stabilized Stainless Steel Burner Assembly		(Replacement for LP Gas (CX) Cast Iron Burner)		
47 LP Gas Burner Assembly Complete***	265-47119-04-42 †	265-47440-10-44 †	265-47440-16-44 †	265-47119-04-42 †
LP Gas Burner Assembly Complete***	265-47376-03-42 ‡	265-47376-01-44 ‡	265-47376-02-44 ‡	265-47376-03-42 ‡
48 LP Gas (SX) Burner**	228-47000-00	228-47000-00	228-47000-00	228-47000-00
49 LP Gas (SX) Main Burner Orifice**	234-47064-42	234-47064-44	234-47064-44	234-47064-42
LP Gas (SX) High Altitude 2001 Ft. to 5000 Ft.**	234-47064-44	234-47064-47	234-47064-47	234-47064-44
LP Gas (SX) High Altitude 5001 Ft. to 8000 Ft.**	234-47064-45	234-47064-48	234-47064-48	234-47064-45
LP Gas (SX) High Altitude Over 8000 Ft.**	234-47064-47	234-47064-49	234-47064-49	234-47064-47
50 LP Gas (SX) Pilot Assembly**	233-45653-04	233-45653-04	233-45653-04	233-45653-04
51 LP Gas (SX) Pilot Orifice**	234-45869-02	234-45869-02	234-45869-02	234-45869-02
LP to Natural Gas Conversion Kit (Norm Alt.)	265-46493-25 †	265-46493-32 †	265-46493-33 †	265-46493-34 †
LP to Natural Gas Conversion Kit (High Alt.)	265-46493-31 †	265-46493-35 †	265-46493-36 †	265-46493-37 †
LP to Natural Gas Conversion Kit (Norm Alt.)	265-46493-51 ‡	265-46493-52 ‡	265-46493-53 ‡	265-46493-51 ‡
LP to Natural Gas Conversion Kit (High Alt.)	265-46493-59 ‡	265-46493-60 ‡	265-46493-61 ‡	265-46493-62 ‡

*Applies to all warranties

**Inner door gasket kit recommended

***Ordering a complete burner assembly may increase delivery time.

Please order the specific component required for the quickest delivery.

▲ Order with item 13

▲▲ Order with item 14

† Serial # Prior to FF12046598.

‡ Serial # FF12046598 and after.

■ Serial # FF12046598 to GF13535156.

◆ Serial # GF13535157 and after.

¹ Prior to serial #GK14048618.

² Serial # GK14048618 and after.

