



LIGHT DUTY COMMERCIAL ELECTRIC REPLACEMENT PARTS LIST

Light Duty Energy Saver Upright
Light Duty Energy Saver Lowboy



TO GET YOUR BRADFORD WHITE REPLACEMENT PARTS

1. USE THE ILLUSTRATION TO FIND THE PART YOU NEED
2. FIND YOUR MODEL WATER HEATER NUMBER ON THE FOLLOWING PAGES
3. REFER TO THE PARTS LISTINGS WITHIN THE COLUMNS
4. IF THE PART NUMBER IS HIGHLIGHTED IN YELLOW YOU CAN DIRECTLY CLICK AND GO THE SHOPPING CART
5. IF THE PART IS NOT DIRECTLY LINKED FIRST USE THE QUICK SEARCH BOX AND IF IT STILL IS NOT FOUND USE THE CONTACT US FORM AND SOMEONE WILL RESPOND WITHIN HOURS.

Effective: March 30, 2007
ECO 7225

**NOTE: BOTH MODEL AND
SERIAL NUMBERS ARE
REQUIRED FOR ORDERING
REPLACEMENTS PARTS.**

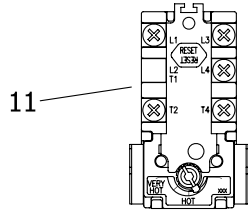
Specification subject to
change without notice.

TO GET YOUR BRADFORD WHITE REPLACEMENT PARTS

1. USE THE ILLUSTRATION TO FIND THE PART YOU NEED
2. FIND YOUR MODEL WATER HEATER NUMBER ON THE FOLLOWING PAGES
3. REFER TO THE PARTS LISTINGS WITHIN THE COLUMNS
4. IF THE PART NUMBER IS HIGHLIGHTED IN YELLOW YOU CAN DIRECTLY CLICK AND GO THE SHOPPING CART
5. IF THE PART IS NOT DIRECTLY LINKED FIRST USE THE QUICK SEARCH BOX AND IF IT STILL IS NOT FOUND USE THE CONTACT US FORM AND SOMEONE WILL RESPOND WITHIN HOURS.

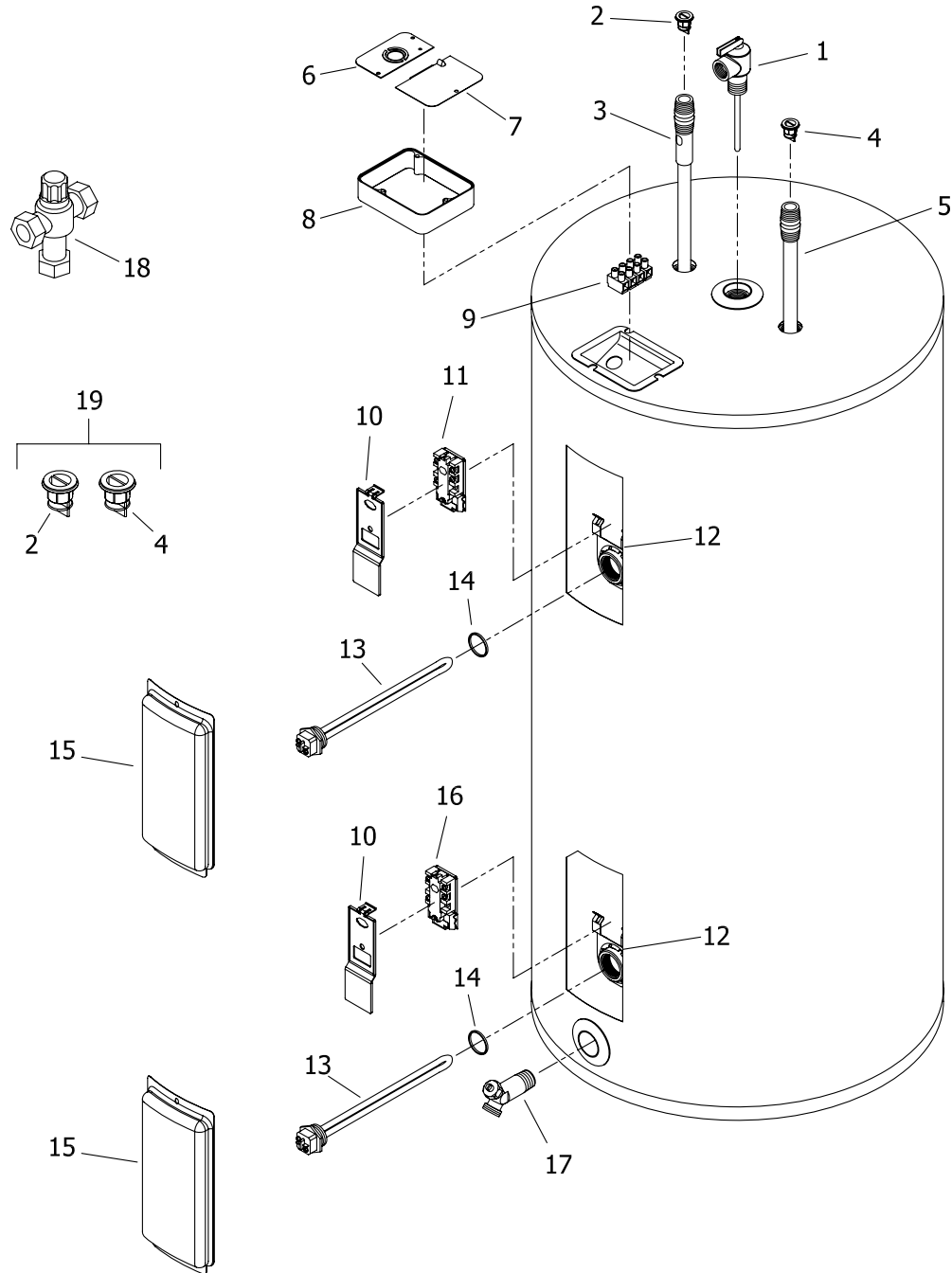
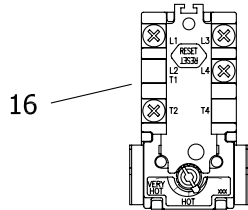
TOP LOCATION

- Double element water heater.



BOTTOM LOCATION

- Single element water heater.
- Double element water heater.



Item	Description	Model LD30R	Model LD40S	Model LD40T	Model LD50S	Model LD50T	Model LD65R
1	T&P Relief Valve	230-40594-02	230-32920-01	230-32920-01	230-32920-01	230-32920-01	230-32920-01
2	Heat Trap Insert (Outlet)	239-45167-00	239-45167-00	239-45167-00	239-45167-00	239-45167-00	239-45167-00
3	Hot Water Outlet Anode Magnesium ♦	224-32731-98	224-32731-88	224-32731-96	224-32731-88	224-32731-96	224-32731-99
	Aluminum ♦	224-32999-24	224-32999-06	224-32999-07	224-32999-06	224-32999-07	224-32999-26
4	Heat Trap Insert (Inlet)	239-45073-00	239-45073-00	239-45073-00	239-45073-00	239-45073-00	239-45073-00
5	Cold Water Inlet Tube Polypropylene ♦♦	229-39625-25	229-39625-08	229-39625-09	229-39625-08	229-39625-09	229-39625-27
	Polysulfone (NC Code) ♦♦	229-39628-28	229-39628-08	229-39628-09	229-39628-08	229-39628-09	229-39628-10
6	Cover Conduit/Ground	243-39451-00	243-39451-00	243-39451-00	243-39451-00	243-39451-00	243-39451-00
7	Cover Junction box	243-39452-00	243-39452-00	243-39452-00	243-39452-00	243-39452-00	243-39452-00
8	Junction Box Extender	239-40587-00	239-40587-00	239-40587-00	239-40587-00	239-40587-00	239-40587-00
9	Terminal Block (4 pole)	239-40592-00	239-40592-00	239-40592-00	239-40592-00	239-40592-00	239-40592-00
10	Thermostat Protector (Large) ♦♦♦	223-40399-00	223-40399-00	223-40399-00	223-40399-00	223-40399-00	223-40399-00
11	Thermostat with High Limit (89T33) ▲	265-40695-00	265-40695-00	265-40695-00	265-40695-00	265-40695-00	265-40695-00
12	Thermostat Mounting Bracket	239-44479-00	239-44479-00	239-44479-00	239-44479-00	239-44479-00	239-44479-00
13	Heating Element 240V 4500W ▲▲	220-42544-08	220-42544-08	220-42544-08	220-42544-08	220-42544-08	220-42544-08
14	Heating Element Gasket	223-34019-00	223-34019-00	223-34019-00	223-34019-00	223-34019-00	223-34019-00
15	Access Cover	243-36618-02	243-36618-02	243-36618-02	243-36618-02	243-36618-02	243-36618-02
16	Thermostat with High Limit (89T13) ▲	265-40694-00	265-40694-00	265-40694-00	265-40694-00	265-40694-00	265-40694-00
17	Brass Drain Valve	265-42351-02	265-42351-02	265-42351-02	265-42351-02	265-42351-02	265-42351-02
18	ASSE Approved Mixing Valve	239-43740-01	239-43740-01	239-43740-01	239-43740-01	239-43740-01	239-43740-01
19	Kit-Heat Trap Insert	265-45420-00	265-45420-00	265-45420-00	265-45420-00	265-45420-00	265-45420-00

- ♦ Order with item 2.
- ♦♦ Order with item 4.
- ♦♦♦ For use with item 11 and item 16.
- ▲ Thermostat protector provided with thermostat.
- ▲▲ For other voltage and wattage combinations, refer to heating element parts list 238-46629-00.

TO GET YOUR BRADFORD WHITE REPLACEMENT PARTS

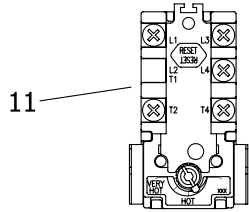
1. USE THE ILLUSTRATION TO FIND THE PART YOU NEED
2. FIND YOUR MODEL WATER HEATER NUMBER ON THE FOLLOWING PAGES
3. REFER TO THE PARTS LISTINGS WITHIN THE COLUMNS
4. IF THE PART NUMBER IS HIGHLIGHTED IN YELLOW YOU CAN DIRECTLY CLICK AND GO THE SHOPPING CART
5. IF THE PART IS NOT DIRECTLY LINKED FIRST USE THE QUICK SEARCH BOX AND IF IT STILL IS NOT FOUND USE THE CONTACT US FORM AND SOMEONE WILL RESPOND WITHIN HOURS.

TO GET YOUR BRADFORD WHITE REPLACEMENT PARTS

1. USE THE ILLUSTRATION TO FIND THE PART YOU NEED
2. FIND YOUR MODEL WATER HEATER NUMBER ON THE FOLLOWING PAGES
3. REFER TO THE PARTS LISTINGS WITHIN THE COLUMNS
4. IF THE PART NUMBER IS HIGHLIGHTED IN YELLOW YOU CAN DIRECTLY CLICK AND GO THE SHOPPING CART
5. IF THE PART IS NOT DIRECTLY LINKED FIRST USE THE QUICK SEARCH BOX AND IF IT STILL IS NOT FOUND USE THE CONTACT US FORM AND SOMEONE WILL RESPOND WITHIN HOURS.

TOP LOCATION

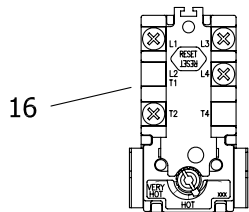
- Double element water heater.



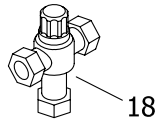
11

BOTTOM LOCATION

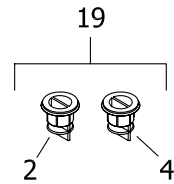
- Single element water heater.
- Double element water heater.



16



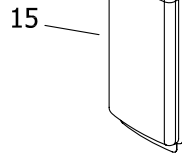
18



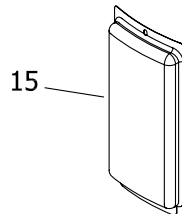
19

2

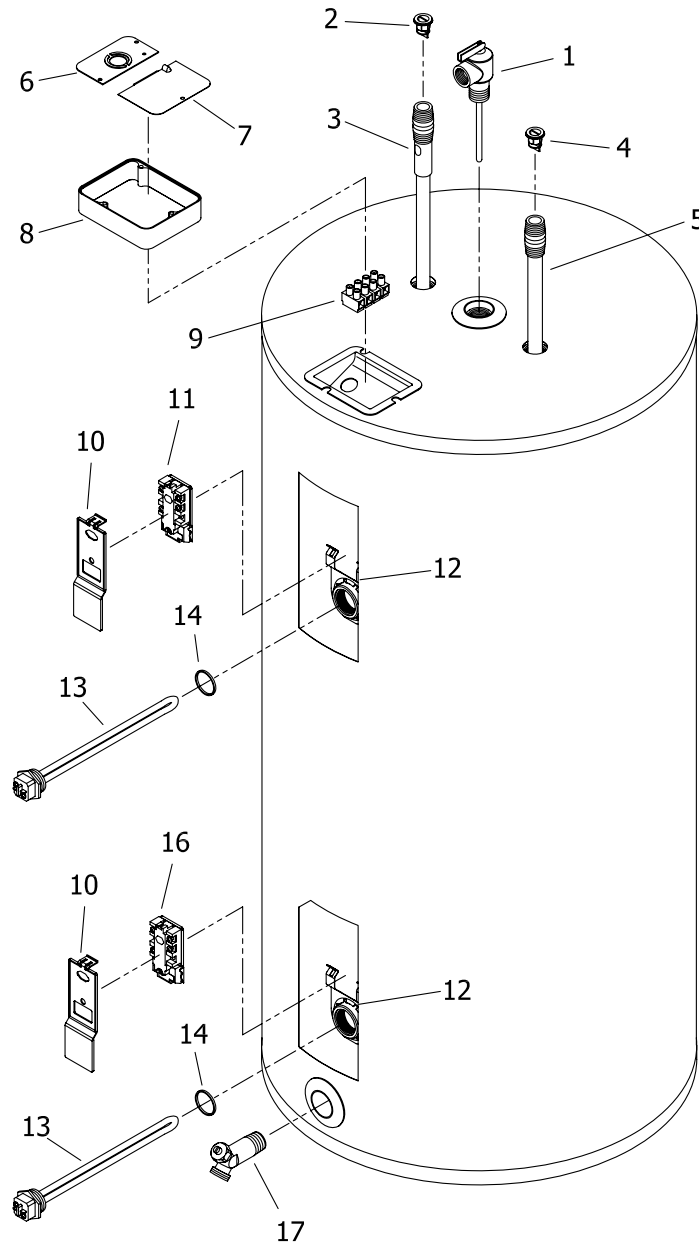
4



15



15



Item	Description	Model LD80R	Model LD120R	Model LD20L	Model LD30L	Model LD40L	Model LD50L
1	T&P Relief Valve	230-32920-01	230-40594-02	230-32920-01	230-40594-02	230-40594-02	230-40594-02
2	Heat Trap Insert (Outlet)	239-45167-00	239-45167-00	239-45167-00	239-45167-00	239-45167-00	239-45167-00
3	Hot Water Outlet Anode Magnesium ♦	224-32731-99	224-45035-02	224-32731-80	224-32731-100	224-32731-100	224-32731-100
	Aluminum ♦	224-32999-26	224-45036-01	224-32999-23	224-32999-27	224-32999-27	224-32999-27
4	Heat Trap Insert (Inlet)	239-45073-00	239-45073-00	239-45073-00	239-45073-00	239-45073-00	239-45073-00
5	Cold Water Inlet Tube Polypropylene ♦♦	229-39625-27	229-45031-01	229-39625-01	229-39625-02	229-39625-02	229-39625-02
	Polysulfone (NC Code) ♦♦	229-39628-10	229-45032-01	229-39628-01	229-39628-02	229-39628-02	229-39628-02
6	Cover Condiut/Ground	243-39451-00	243-39451-00	243-39451-00	243-39451-00	243-39451-00	243-39451-00
7	Cover Junction box	243-39452-00	243-39452-00	243-39452-00	243-39452-00	243-39452-00	243-39452-00
8	Junction Box Extender	239-40587-00	239-40587-00	239-40587-00	239-40587-00	239-40587-00	239-40587-00
9	Terminal Block (4 pole)	239-40592-00	239-40592-00	239-40592-00	239-40592-00	239-40592-00	239-40592-00
10	Thermostat Protector (Large) ♦♦♦	223-40399-00	223-40399-00	223-40399-00	223-40399-00	223-40399-00	223-40399-00
11	Thermostat with High Limit (89T33) ▲	265-40695-00	265-40695-00	265-40695-00	265-40695-00	265-40695-00	265-40695-00
12	Thermostat Mounting Bracket	239-44479-00	239-44479-00	239-44479-00	239-44479-00	239-44479-00	239-44479-00
13	Heating Element 240V 4500W ▲▲	220-42544-08	220-42544-08	220-42544-08	220-42544-08	220-42544-08	220-42544-08
14	Heating Element Gasket	223-34019-00	223-34019-00	223-34019-00	223-34019-00	223-34019-00	223-34019-00
15	Access Cover	243-36618-02	243-36618-02	243-36618-02	243-36618-02	243-36618-02	243-36618-02
16	Thermostat with High Limit (89T13) ▲	265-40694-00	265-40694-00	265-40694-00	265-40694-00	265-40694-00	265-40694-00
17	Brass Drain Valve	265-42351-02	265-42351-02	265-42351-02	265-42351-02	265-42351-02	265-42351-02
18	ASSE Approved Mixing Valve	239-43740-01	239-43740-01	239-43740-01	239-43740-01	239-43740-01	239-43740-01
19	Kit-Heat Trap Insert	265-45420-00	265-45420-00	265-45420-00	265-45420-00	265-45420-00	265-45420-00

- ♦ Order with item 2.
- ♦♦ Order with item 6.
- ♦♦♦ For use with item 11 and item 16.
- ▲ Thermostat protector provided with thermostat.
- ▲▲ For other voltage and wattage combinations, refer to heating element parts list 238-46629-00.

TO GET YOUR BRADFORD WHITE REPLACEMENT PARTS

1. USE THE ILLUSTRATION TO FIND THE PART YOU NEED
2. FIND YOUR MODEL WATER HEATER NUMBER ON THE FOLLOWING PAGES
3. REFER TO THE PARTS LISTINGS WITHIN THE COLUMNS
4. IF THE PART NUMBER IS HIGHLIGHTED IN YELLOW YOU CAN DIRECTLY CLICK AND GO THE SHOPPING CART
5. IF THE PART IS NOT DIRECTLY LINKED FIRST USE THE QUICK SEARCH BOX AND IF IT STILL IS NOT FOUND USE THE CONTACT US FORM AND SOMEONE WILL RESPOND WITHIN HOURS.

Voltage & Wattage Conversion Kits

Element Wattage	Non-Simultaneous Max Wattage	Simultaneous Max Wattage	Voltage			
			120	208	240	277
1500	1500	3000	265-46409-01	265-46409-05	265-46409-13	265-45409-16
2000	2000	4000	265-46409-02 *	265-46409-06	265-46409-05	265-45409-17
2500	2500	5000	265-46409-03 *	265-46409-07	265-46409-06	265-45409-18
3000	3000	6000	265-46409-04 *	265-46409-08	265-46409-14	265-45409-19
3500	3500	7000	N/A	265-46409-09	265-46409-07	N/A
4000	4000	8000	N/A	265-46409-10	265-46409-08	265-45409-20
4500	4500	9000	N/A	265-46409-11	265-46409-09	265-45409-21
5000	5000	10000	N/A	265-46409-12	265-46409-15	265-45409-22
5500	5500	11000	N/A	265-46409-46 *	265-46409-10	265-46409-40
6000	6000	12000	N/A	265-46409-47 *	265-46409-48 *	265-45409-23

Element Wattage	Non-Simultaneous Max Wattage	Simultaneous Max Wattage	Voltage		
			380	415	480
1500	1500	3000	265-46409-24	265-46409-41	265-46409-32
2000	2000	4000	265-46409-43	265-46409-24	265-46409-33
2500	2500	5000	265-46409-25	265-46409-43	265-46409-34
3000	3000	6000	265-46409-26	265-46409-25	265-46409-35
3500	3500	7000	265-46409-27	265-46409-26	N/A
4000	4000	8000	265-46409-29	265-46409-27	265-46409-36
4500	4500	9000	265-46409-30	265-46409-28	265-46409-37
5000	5000	10000	265-46409-31	265-46409-29	265-46409-38
5500	5500	11000	265-46409-44	265-46409-30	265-46409-42
6000	6000	12000	265-46409-45	265-46409-31	265-46409-39

* These kits contain only one element for single element water heaters only.

TO GET YOUR BRADFORD WHITE REPLACEMENT PARTS

1. USE THE ILLUSTRATION TO FIND THE PART YOU NEED
2. FIND YOUR MODEL WATER HEATER NUMBER ON THE FOLLOWING PAGES
3. REFER TO THE PARTS LISTINGS WITHIN THE COLUMNS
4. IF THE PART NUMBER IS HIGHLIGHTED IN YELLOW YOU CAN DIRECTLY CLICK AND GO THE SHOPPING CART
5. IF THE PART IS NOT DIRECTLY LINKED FIRST USE THE QUICK SEARCH BOX AND IF IT STILL IS NOT FOUND USE THE CONTACT US FORM AND SOMEONE WILL RESPOND WITHIN HOURS.