



BRADFORD WHITE[®]
W A T E R H E A T E R S

**RESIDENTIAL AND COMMERCIAL
OIL FIRED REPLACEMENT PARTS LIST
RF-30, RF-30SX RF-50
and RF-70 Gallon Models**

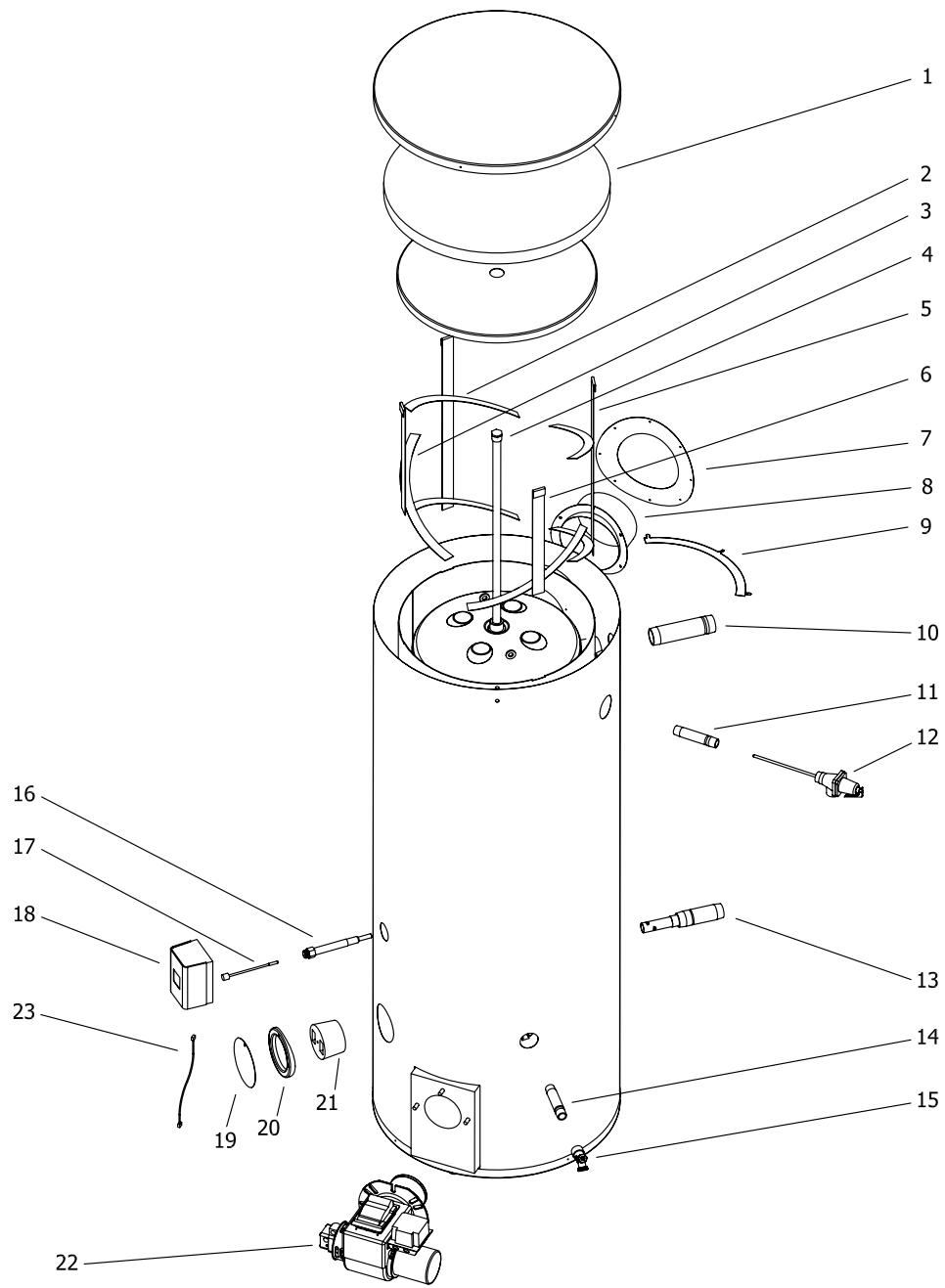


Includes Hydrojet[®]
Total Performance System

***Effective: July, 2007
ECO 7226***

**NOTE: BOTH MODEL AND SERIAL
NUMBERS ARE REQUIRED FOR
ORDERING REPLACEMENT PARTS**

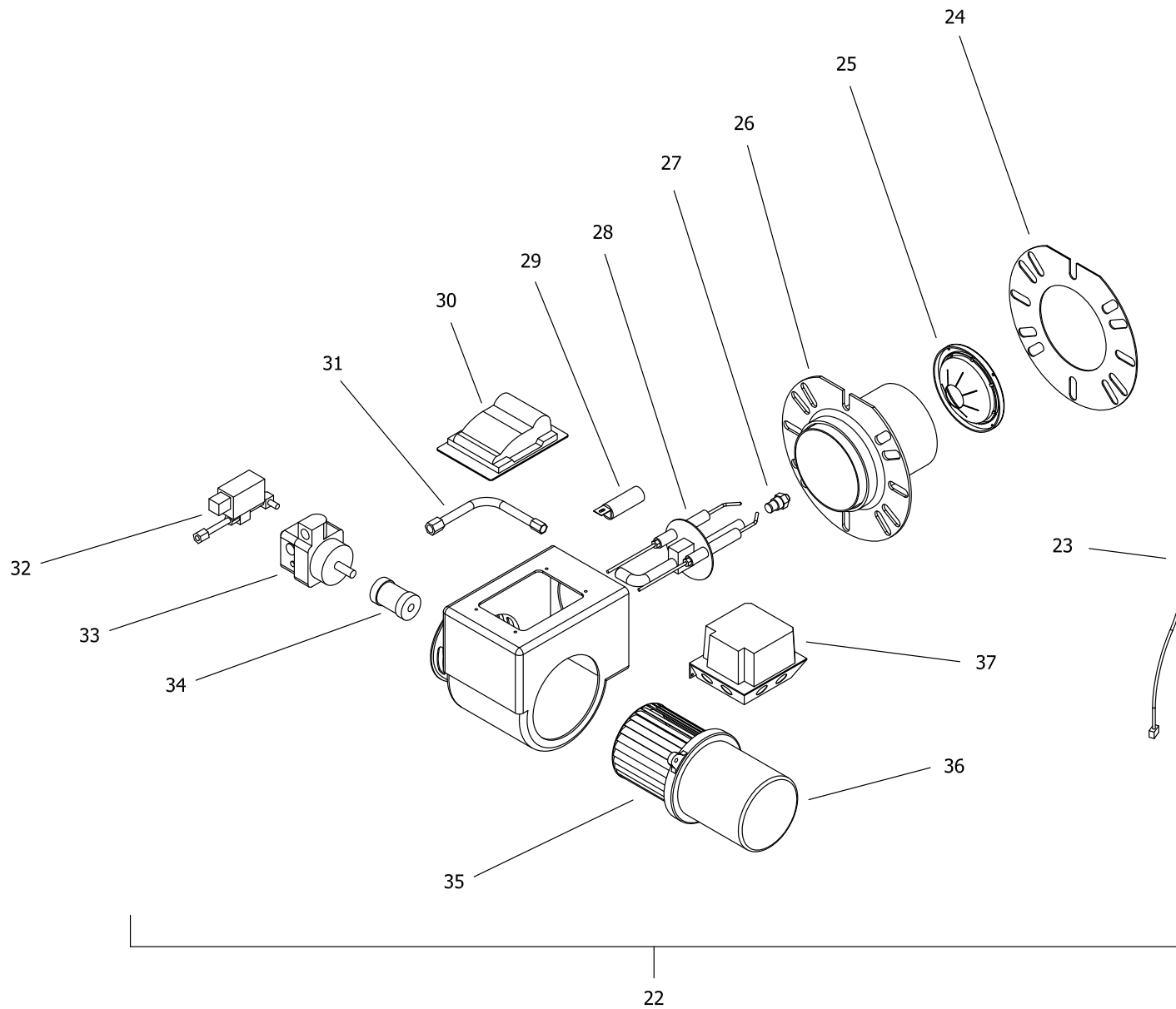
Dimensions and specifications
subject to change without notice.



Item	Description	Model	Model	Model	Model
		RF30	RF30SX	RF50	RF70
		BW503	BW503	BW504,505	BW507,508
		BWC Part # Below	BWC Part # Below	BWC Part # Below	BWC Part # Below
1	Head Insulation	226-81313-10	226-81313-01	226-81313-02	226-81313-11
2	Baffle-Left Rear	239-46688-00	239-46573-01	239-46573-02	239-46573-03
3	Baffle-Left Front	---	239-46571-01	239-46571-01	239-46571-02
4	Plug Type Anode (Magnesium)	224-32758-34	224-32758-33	224-32758-07	224-32758-07
	Plug Type Anode (Aluminum)	224-38508-04	224-38508-02	224-38508-07	224-38508-07
5	Baffle-Right Rear	239-46687-00	239-46572-01	239-46572-02	239-46572-03
6	Baffle-Right Front	---	239-46570-01	239-46570-01	239-46570-02
7	Escutcheon-Exhaust Outlet	243-46589-01	243-46589-01	243-46589-02	243-46589-03
8	Exhaust Outlet	239-46565-01	239-46565-01	239-46565-02	239-46565-03
9	Baffle-Center Rear	239-46608-00	---	---	---
10	Hot Water Outlet	229-32762-26	229-32762-27	229-32762-25	229-32762-25
11	T & P Nipple	229-32762-26	229-32762-27	229-32762-26	229-32762-26
12	T & P Relief Valve	230-46566-00	230-46566-00	230-46566-00	230-46566-00
13	Cold Water Inlet Hydrojet	229-46796-00	229-46796-00	229-46797-00	229-46797-00
14	Drain Nipple	229-32762-26	229-32762-27	229-32762-26	229-32762-26
15	Brass Drain Valve	227-46568-00	227-46568-00	227-46568-00	227-46568-00
16	Thermal Immersion Well	233-46567-00	233-46567-00	233-46567-00	233-46567-00
17	Thermister Only*	239-46553-01	239-46553-01	239-46553-01	239-46553-01
18	Thermostat w/Thermister (electronic)*	233-46038-00	233-46038-00	233-46038-00	233-46038-00
19	Peephole Cover	239-39687-00	239-39687-00	239-39687-00	239-39687-00
20	Peephole Flange	239-39716-00	239-39716-00	239-39716-00	239-39716-00
21	Peephole Plug	243-39717-00	243-39717-00	243-39717-00	243-39717-00
22	Burner Assembly 120V 1/S Pump	228-44392-07	228-44392-07	228-44392-09 (BW504)	228-44392-13 (BW507)
	Burner Assembly 120V 1/S Pump	---	---	228-44392-11 (BW505)	228-44392-15 (BW508)

*Provided with burner complete (item 22). Also available individually.

**Specify Oil Burner Model. Example: BW503



Item	Description	Model	Model	Model	Model
		RF30	RF30SX	RF50	RF70
		BW503	BW503	BW504,505	BW507,508
22	Burner Assembly 120V 1/S Pump	228-44392-07	228-44392-07	228-44392-09 (BW504)	228-44392-13 (BW507)
	Burner Assembly 120V 1/S Pump	---	---	228-44392-11 (BW505)	228-44392-15 (BW508)
		Beckett Part # Below	Beckett Part # Below	Beckett Part # Below	Beckett Part # Below
23	Wire Harness*	51924	51924	51925	51925
24	Gasket Oil Fired	31653	31653	31653	31653
25	Burner Firing Head	360003	360003	360006	360012
26	Air Tube w/Nozzle Line Electrode Assy**	Specify	Specify	Specify	Specify
27	Oil Nozzle	.85 x 80B Delavan	.85 x 80B Delavan	1.25 x 80B Delavan (BW504)	1.50 x 80B Delavan (BW507)
	Oil Nozzle	---	---	1.35 x 80B Delavan (BW505)	1.75 x 80B Delavan (BW508)
28	Electrode Replacement Kit	5780	5780	5780	5782
29	Cad Cell	7006Q	7006Q	7006Q	7006Q
30	Ignition Transformer (120V)	51771U	51771U	51771U	51771U
	Ignition Transformer (240V, 60Hz)	21175U	21175U	21175U	21175U
31	Copper Oil Feedline	5394	5394	5394	5394
32	Pump Solenoid (240V only)	2234U	2234U	2234U	2234U
33	Oil Pump 120V (Single)	21844U	21844U	21844U	21844U
	Oil Pump 120V (Dual)	21941U	21941U	21941U	21941U
	Oil Pump 240V, 60Hz (Single)	2460U	2460U	2460U	2460U
	Oil Pump 240V, 60Hz (Dual)	2583U	2583U	2583U	2583U
34	Oil Pump Drive Coupling	2454U	2454U	2454U	2454U
35	Blower Wheel	2999U	2999U	2999U	2999U
36	Blower Motor (120V)	21805U	21805U	21805U	21805U
	Blower Motor (240V, 60Hz)	21174U	21174U	21174U	21174U
37	Primary Control 120V	7456U	7456U	7456U	7456U
	Primary Control 240V, 60Hz	7414U	7414U	7414U	7414U

*Provided with burner complete (item 22). Also available individually.

**Specify Oil Burner Model. Example: BW503