



**RESIDENTIAL AND COMMERCIAL GAS
REPLACEMENT PARTS LIST**

**ULTRA HIGH EFFICIENCY MODELS
WITH DIRECT SPARK IGNITION**

**EFR160T120*(EN,SX)
EF(60,100)T(125-300)(E*N)(*X)(A)2**
(Serial Number **GB13006174** and AFTER)

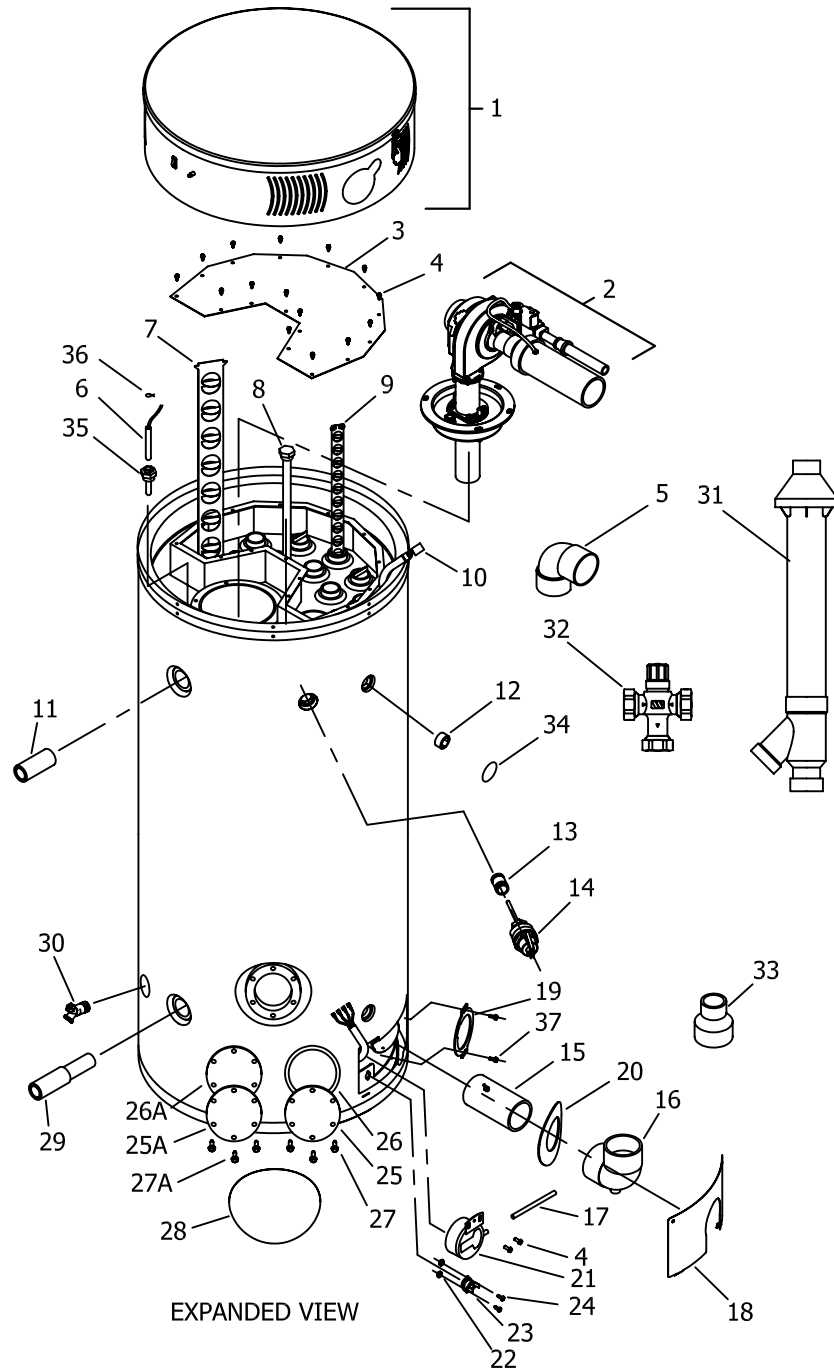


Includes Hydrojet®
Total Performance System

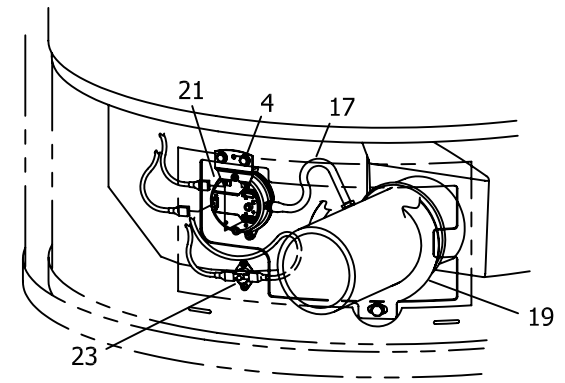
***Effective: February, 2010
ECO 7515***

**NOTE: BOTH MODEL AND SERIAL
NUMBERS ARE REQUIRED FOR
ORDERING REPLACEMENT PARTS**

Dimensions and specifications
subject to change without notice.



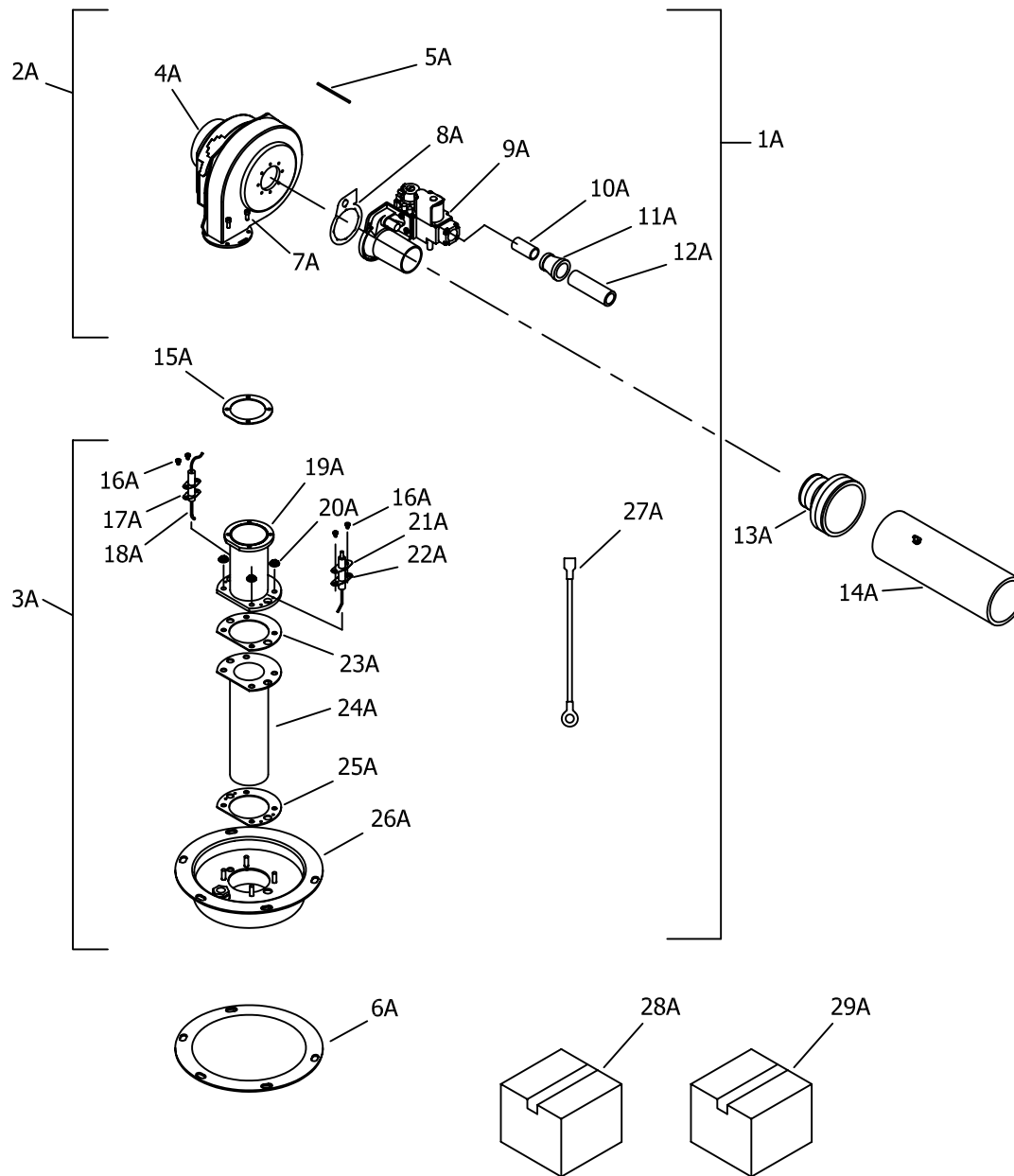
EXPANDED VIEW



EXHAUST SERVICE AREA DETAIL
(ASSEMBLED)

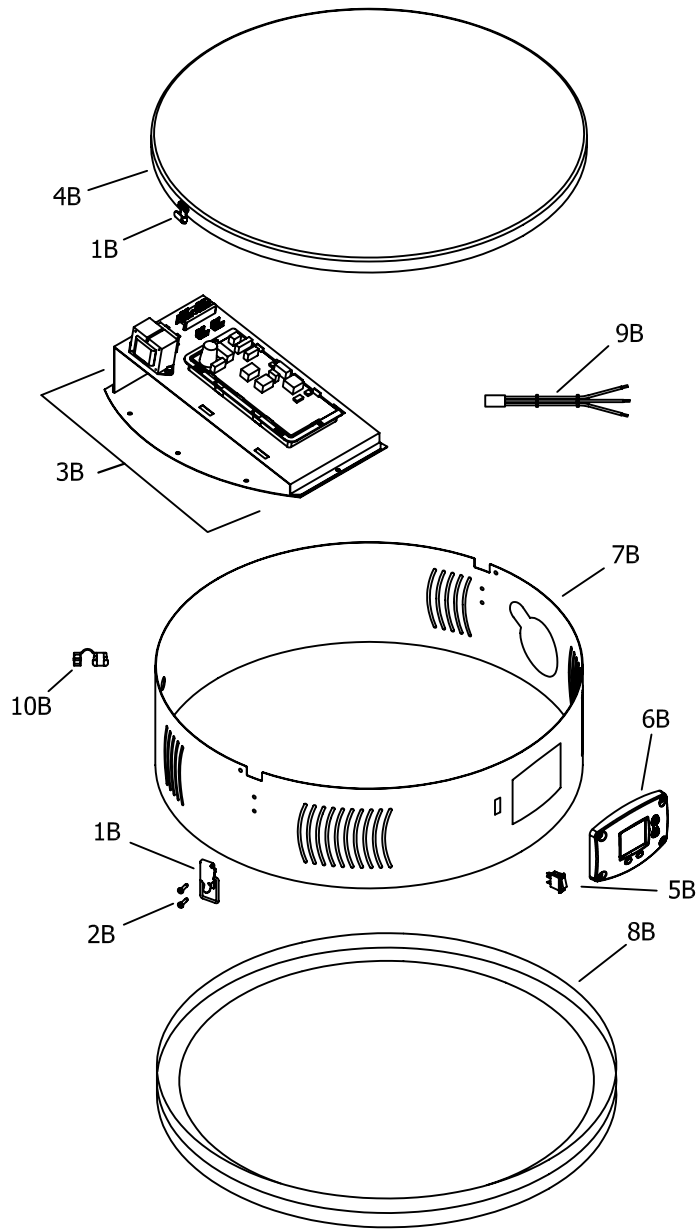
Item	Description	Model	Model	Model	Model
		EFR160T120*(EN,SX)	EF100T150(E)*(N,X)(A)2	EF100T199(E)*(N,X)(A)2	EF100T250(E)*(N,X)(A)2
1	Combustion Surround Assembly	(see page 6)	(see page 6)	(see page 6)	(see page 6)
2	Combustion System Assembly	(see page 4)	(see page 4)	(see page 4)	(see page 4)
3	Collector Cover Second Pass	239-43454-00	239-43454-00	239-43454-00	239-43454-00
4	Screw 10-16 x 3/4	239-44444-00	239-44444-00	239-44444-00	239-44444-00
5	Elbow-Vent Terminal (2 Req'd)	239-39831-00	---	---	---
	Elbow-Vent Terminal	---	239-40579-00	239-40579-00	239-40579-00
	Coupling-Vent Terminal	---	239-46740-00	239-46740-00	239-46740-00
6	Temperature Sensor	239-46553-02	239-46553-02	239-46553-02	239-46553-02
7	Baffle 4" Flue (2 Req'd)	243-43304-00	---	243-43304-00	243-43304-00
8	Anode Rod (Magnesium) (4 Req'd)	224-47782-13	224-47782-08	224-47782-08	224-47782-08
	Anode Rod (Aluminum) (4 Req'd)	224-38508-06	224-38508-01	224-38508-01	224-38508-01
9	Baffle 2" Flue (8 Req'd)	239-45659-00	239-45658-00	239-45658-00	239-45658-00
10	Wire Harness-Service Panel	239-43358-02	239-43358-01	239-43358-01	239-43358-01
11	Nipple Hot Water Outlet Plasticsert (Front Connect)	229-32762-18	229-40913-07	229-40913-07	229-40913-07
12	Pipe Plug 1" NPT	239-02048-00	239-02048-00	239-02048-00	239-02048-00
13	Nipple Plasticsert T & P	229-32762-02	229-32762-02	229-32762-02	229-80982-00
14	T&P Relief Valve	230-30246-00	230-30246-00	230-30246-00	230-33630-04
15	Exhaust Vent Pipe	239-45971-00	239-45971-00	239-45971-00	239-45971-00
16	Condensate Elbow	239-43211-00	239-43211-00	239-43211-00	239-43211-00
17	Silicone Tubing 3/16" I.D.	239-41718-00	239-41718-00	239-41718-00	239-41718-00
18	Outer Door Service Panel	239-48134-00	243-44668-00	243-44668-00	243-44668-00
19	Bracket Exhaust Support	239-44667-00	239-44667-00	239-44667-00	239-44667-00
20	Escutcheon-Exhaust Pipe (EF Series)	239-43997-00	239-43997-00	239-43997-00	239-43997-00
21	Exhaust Pressure Switch	239-46037-01	239-46037-01	239-46037-01	239-46037-01
22	Keps Nut (2 Req'd)	239-81844-00	239-81844-00	239-81844-00	239-81844-00
23	Hi-Limit Switch	239-43238-02	239-43238-02	239-43238-02	239-43238-02
24	Screw 6-32 x 3/8 (2 Req'd)	239-81843-00	239-81843-00	239-81843-00	239-81843-00
25	Cleanout Cover	205-18428-00	205-18428-00	205-18428-00	205-18428-00
25A	Cleanout Cover (ASME)	---	205-32941-00	205-32941-00	205-32941-00
26	Cleanout Gasket	205-18427-00	205-18427-00	205-18427-00	205-18427-00
26A	Cleanout Gasket (ASME)	---	205-32942-00	205-32942-00	205-32942-00
27	Screw 5/16 - 18 x 1/2	239-82166-00	239-82166-00	239-82166-00	239-82166-00
27A	Screw 5/16 - 18 x 1/2 (ASME) (6 Req'd)	---	239-32970-00	239-32970-00	239-32970-00
28	Clean Out Access Cover	239-20299-00-17	243-20299-00	243-20299-00	243-20299-00
29	Inlet Tube Hydrojet (Front Connect)	229-48076-01	229-44375-00	229-44375-00	229-44375-00
30	Drain Valve Brass (No Handle)	265-42351-02	265-42351-02	265-42351-02	265-42351-02
31	Coaxial Vent Pipe with Terminal (Optional)	239-44069-02	239-44069-01	239-44069-01	239-44069-01
32	ASSE Approved Mixing Valve (Optional)	239-43740-02	239-43740-02	239-43740-02	239-43740-02
33	Reducer 3" x 2"	239-48199-00	---	---	---
34	Hole Closure	239-31547-02	239-31547-02	239-31547-02	239-31547-02
35	Sensor Well	233-46558-01	233-46558-01	233-46558-01	233-46558-01
36	Clip Thermostat	233-45242-00	233-45242-00	233-45242-00	233-45242-00
37	Screw 1/4-20 x 5/8 Hex Washer (2 Req'd.)	239-42637-00	239-42637-00	239-42637-00	239-42637-00

* Applies to all warranties



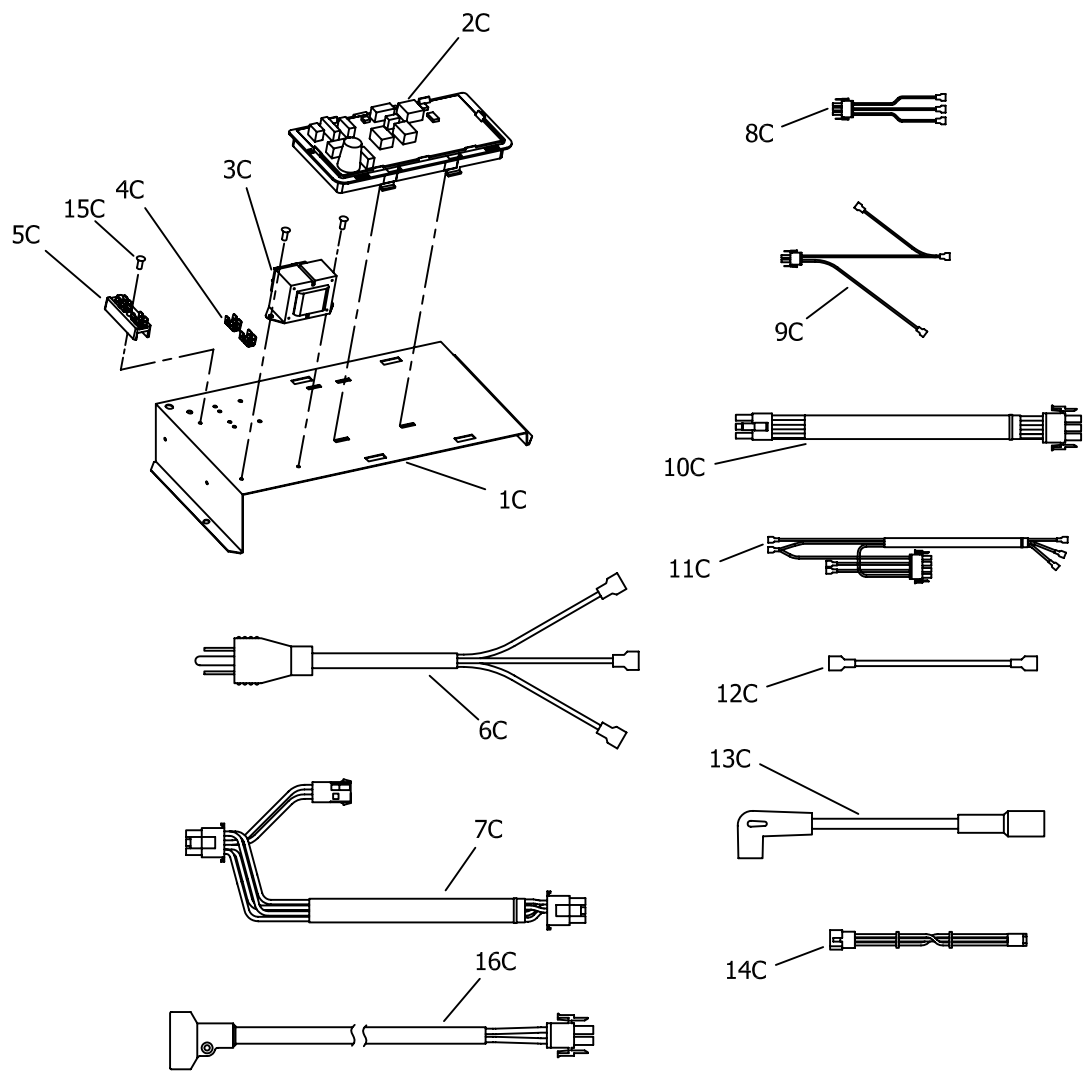
Item	Description	Model	Model	Model	Model
		EFR160T120*(EN,SX)	EF100T150(E)*(N,X)(A)2	EF100T199(E)*(N,X)(A)2	EF100T250(E)*(N,X)(A)2
1A	Combustion System Assembly (Nat).	243-48073-01	243-48073-05	243-48073-07	243-48073-09
	Combustion System Assembly (LP).	243-48073-02	243-48073-06	243-48073-08	243-48073-10
2A	Blower and Gas Valve Assembly (Nat).	243-46009-01	243-46009-03	243-46010-01	243-46010-03
	Blower and Gas Valve Assembly (LP).	243-46009-02	243-46009-04	243-46010-02	243-46010-04
3A	Burner Assembly EF	243-46023-00	243-46023-00	243-46023-00	243-46024-00
4A	Blower	265-44037-00	265-44037-00	265-43229-00	265-43229-00
5A	Hose Tubing 3/16" I.D.	239-41718-00	239-41718-00	239-41718-00	239-41718-00
6A	Burner Mounting Insert Gasket	239-43197-00	239-43197-00	239-43197-00	239-43197-00
7A	Screw 10-32 x 3/4 SHCS (4 Req'd)	239-43273-00	239-43273-00	239-43273-00	239-43273-00
8A	Gasket Venturi to blower	239-44654-00	239-44654-00	239-44654-00	239-44654-00
9A	Gas Valve Assembly (Nat.)	243-46007-01	243-46007-02	243-46007-02	243-46007-03
	Gas Valve Assembly (LP).	243-46008-01	243-46008-02	243-46008-02	243-46008-03
10A	Nipple 1/2 NPT X 3"	239-37047-00	239-37047-00	239-37047-00	239-37047-00
11A	Reducer 3/4 x 1/2 NPT	239-04474-00	239-04474-00	239-04474-00	239-04474-00
12A	Nipple 3/4 NPT x 7"	239-43373-00	239-43373-00	239-43373-00	239-43373-00
13A	2" x 3" Dia. Flex Reducer	239-40902-00	239-40902-00	239-40902-00	239-40902-00
14A	Inlet Tube (PVC)	239-43364-01	239-43364-01	239-43364-01	239-43364-01
15A	Gasket Blower Transition	239-43241-00	239-43241-00	239-43241-00	239-43241-00
16A	Screw 8-32 x 1/4 RHCR (4 Req'd)	239-43272-00	239-43272-00	239-43272-00	239-43272-00
17A	Gasket Flame Sensor	239-43371-00	239-43371-00	239-43371-00	239-43371-00
18A	Flame Sensor W/Gasket	265-43232-00	265-43232-00	265-43232-00	265-43232-00
19A	Blower Transition Weldment	239-43201-00	239-43201-00	239-43201-00	239-43201-00
20A	Nut Hex Washer (4 Req'd)	239-43297-00	239-43297-00	239-43297-00	239-43297-00
21A	Spark Rod (w/ Gasket)	265-46481-00	265-46481-00	265-46481-00	265-46481-00
22A	Spark Rod Gasket	239-43370-00	239-43370-00	239-43370-00	239-43370-00
23A	Burner Mounting Gasket	239-43246-00	239-43246-00	239-43246-00	239-43246-00
24A	Burner Tube Kit (w/ gasket)	265-45624-00	265-45624-00	265-45624-00	265-46019-00
25A	Burner Mounting Gasket	239-43246-00	239-43246-00	239-43246-00	239-43246-00
26A	Burner Mounting Insert	239-43167-00	239-43167-00	239-43167-00	239-43167-00
27A	Ground Wire Assembly 24" Green	239-38951-83	239-38951-83	239-38951-83	239-38951-83
28A	Gas Regulator Kit (optional)	243-45517-00	243-45517-00	243-45517-00	243-45517-00
29A	LP to Natural Gas Conversion Kit	265-46391-01	265-46391-02	265-46391-02	265-46391-03

* Applies to all warranties



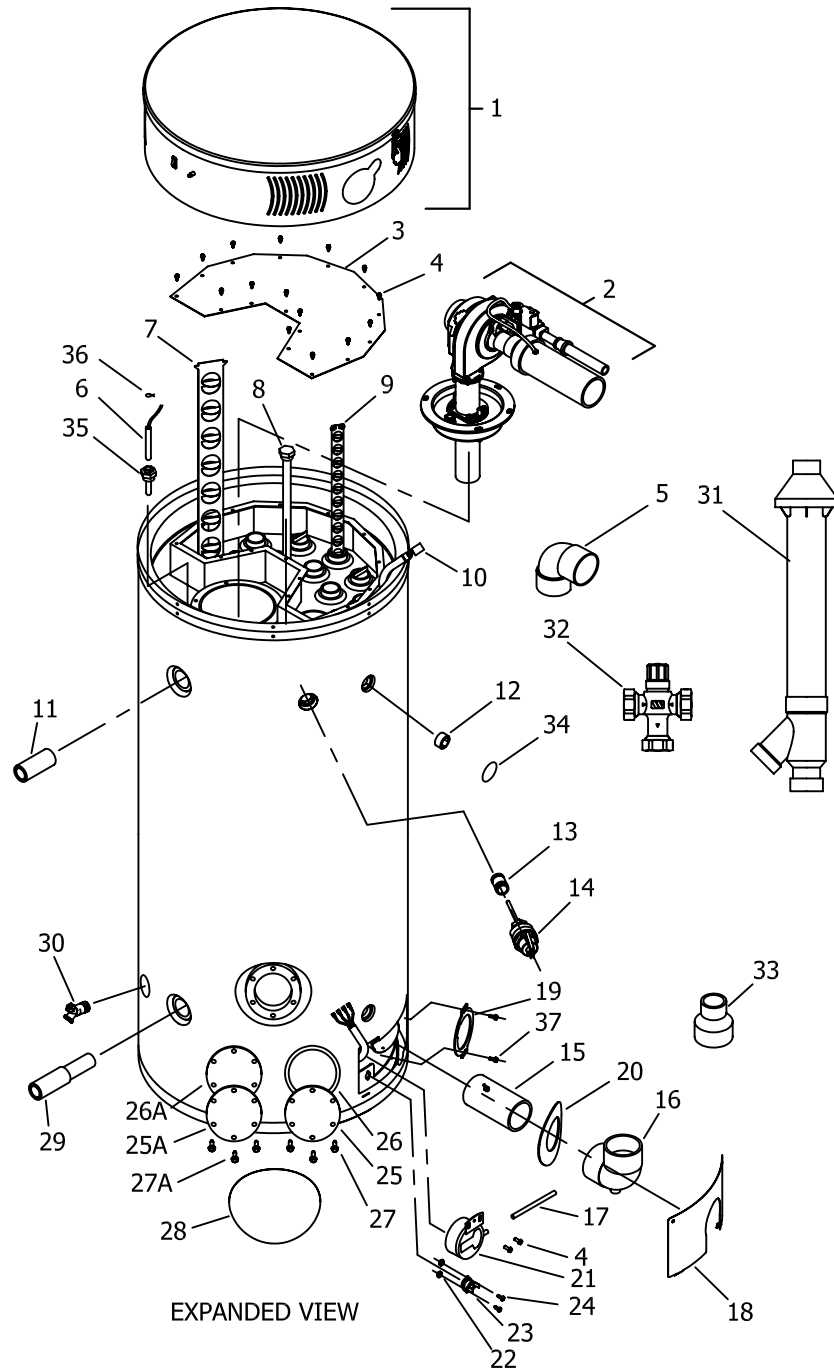
Item	Description	Model	Model	Model	Model
		EFR160T120*(EN,SX)	EF100T150(E)*(N,X)(A)2	EF100T199(E)*(N,X)(A)2	EF100T250(E)*(N,X)(A)2
1B	Keeper Latch & Catch	239-43239-00	239-43239-00	239-43239-00	239-43239-00
2B	Screw 8-32 x 1/2 RHCR (2 Req'd)	239-41715-00	239-41715-00	239-41715-00	239-41715-00
3B	Ignition Control Assembly	243-47149-01 (see page 8)	243-47149-01 (see page 8)	243-47149-01 (see page 8)	243-47149-01 (see page 8)
4B	Surround Head-EF Comm.	243-45823-02	243-45823-02	243-45823-02	243-45823-02
5B	Main Power Switch	239-43234-00	239-43234-00	239-43234-00	239-43234-00
6B	Control Display-Honeywell Integrated Control	265-46557-00	265-46557-00	265-46557-00	265-46557-00
7B	Ring Combustion Surround	239-47305-02	239-47305-02	239-47305-02	239-47305-02
8B	Combustion Surround Base	239-43710-02	239-43710-02	239-43710-02	239-43710-02
9B	Integrated Control Display Harness	239-46617-00	239-46617-00	239-46617-00	239-46617-00
10B	Strain Relief Bushing (Power Cord)	239-80372-00	239-80372-00	239-80372-00	239-80372-00

* Applies to all warranties

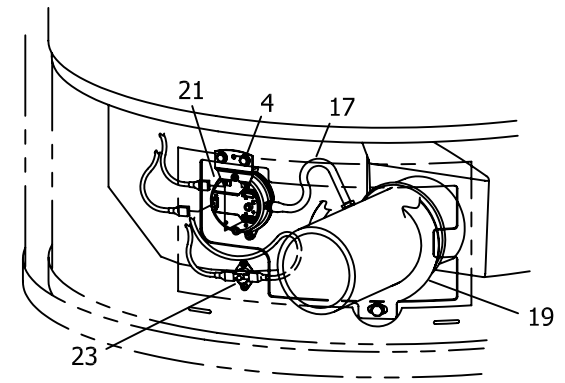


Item	Description	Model	Model	Model	Model
		EFR160T120*(EN,SX)	EF100T150(E)*(N,X)(A)2	EF100T199(E)*(N,X)(A)2	EF100T250(E)*(N,X)(A)2
1C	Control Panel	239-48060-00	239-48060-00	239-48060-00	239-48060-00
2C	Integrated Control Board	233-46954-00	233-46954-00	233-46954-00	233-46954-00
3C	Transformer	233-44072-01	233-44072-01	233-44072-01	233-44072-01
4C	Ground Lug	239-80112-00	239-80112-00	239-80112-00	239-80112-00
5C	Terminal Strip	239-80373-00	239-80373-00	239-80373-00	239-80373-00
6C	Power Cord	239-44466-00	239-44466-00	239-44466-00	239-44466-00
7C	Control Harness	239-46863-00	239-46863-00	239-46863-00	239-46863-00
8C	Primary Harness	239-46531-00	239-46531-00	239-46531-00	239-46531-00
9C	Secondary Harness	239-46530-00	239-46530-00	239-46530-00	239-46530-00
10C	Blower Harness	239-46865-00	239-46865-00	239-46865-00	239-46865-00
11C	Power Switch Harness	239-46864-00	239-46864-00	239-46864-00	239-46864-00
12C	Sensor Wire 19" Black	239-38951-65	239-38951-65	239-38951-65	239-38951-65
13C	High Voltage Spark Cable	239-46861-00	239-46861-00	239-46861-00	239-46861-00
14C	Integrated Control Board Display Harness	239-46944-00	239-46944-00	239-46944-00	239-46944-00
15C	Screw #8-18 x 1/2 PHCR (3 Req'd)	239-43736-00	239-43736-00	239-43736-00	239-43736-00
16C	Rectifier Harness EF	239-43571-00	239-43571-00	239-43571-00	239-43571-00

* Applies to all warranties



EXPANDED VIEW

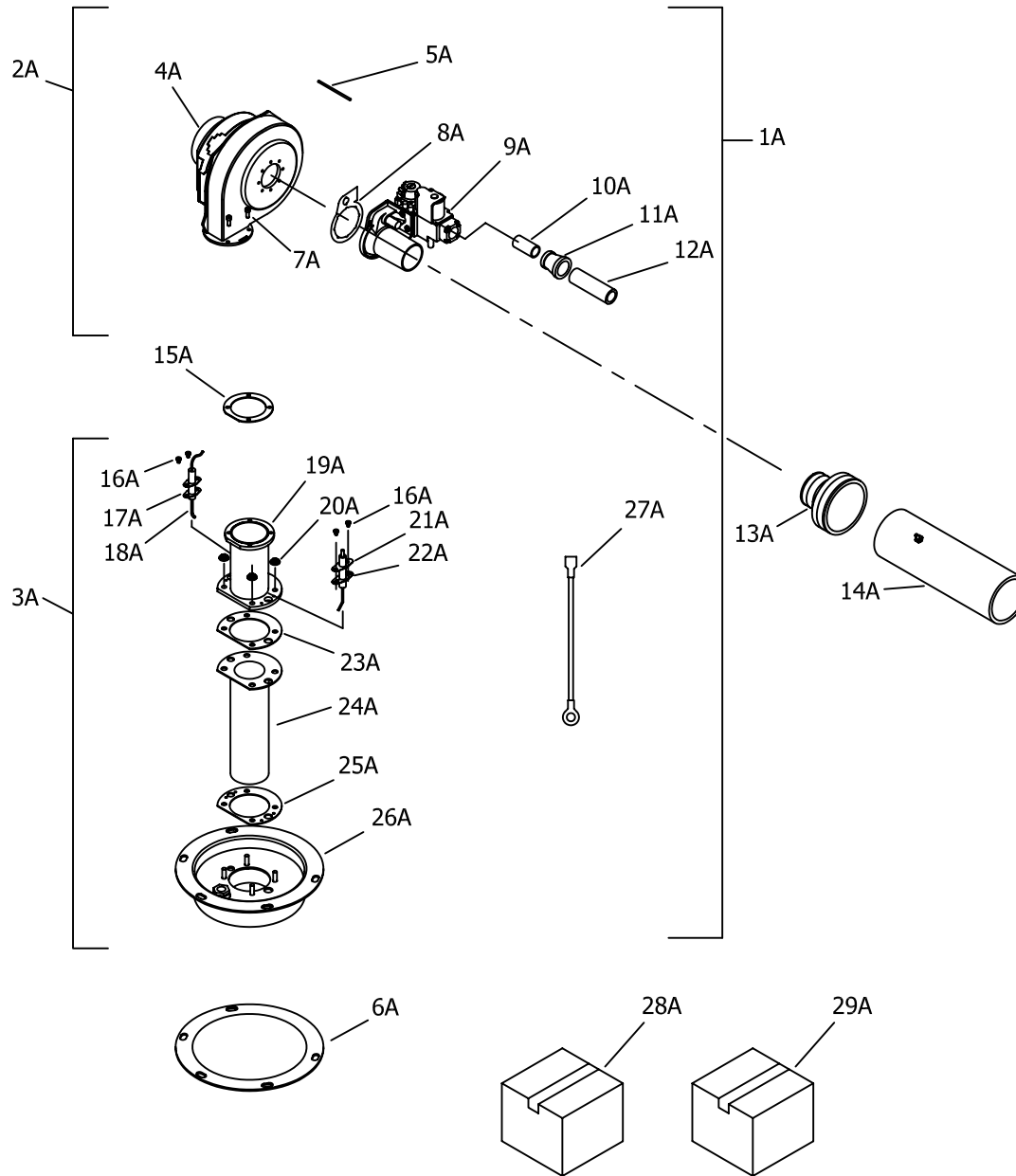


EXHAUST SERVICE AREA DETAIL
(ASSEMBLED)

Item	Description	Model	Model	Model	Model
		EF100T300(E)*(N,X)(A)2	EF60T125(E)*(N,X)(A)2	EF60T150(E)*(N,X)(A)2	EF60T199(E)*(N,X)(A)2
1	Combustion Surround Assembly	(see page 14)	(see page 14)	(see page 14)	(see page 14)
2	Combustion System Assembly	(see page 12)	(see page 12)	(see page 12)	(see page 12)
3	Collector Cover Second Pass	239-43454-00	239-43454-00	239-43454-00	239-43454-00
4	Screw 10-16 x 3/4	239-44444-00	239-44444-00	239-44444-00	239-44444-00
5	Elbow-Vent Terminal (2 Req'd)	---	---	---	---
	Elbow-Vent Terminal	239-40579-00	239-40579-00	239-40579-00	239-40579-00
	Coupling-Vent Terminal	239-46740-00	239-46740-00	239-46740-00	239-46740-00
6	Temperature Sensor	239-46553-02	239-46553-02	239-46553-02	239-46553-02
7	Baffle 4" Flue (2 Req'd)	243-43304-00	243-43304-00	243-43304-00	243-43304-00
8	Anode Rod (Magnesium) (4 Req'd)	224-47782-08	224-47782-13	224-47782-13	224-47782-13
	Anode Rod (Aluminum) (4 Req'd)	224-38508-01	224-38508-06	224-38508-06	224-38508-06
9	Baffle 2" Flue (8 Req'd)	239-45658-00	239-45659-00	239-45659-00	239-45659-00
10	Wire Harness-Service Panel	239-43358-01	239-43358-02	239-43358-02	239-43358-02
11	Nipple Hot Water Outlet Plastisert (Front Connect)	229-40913-07	229-40913-07	229-40913-07	229-40913-07
12	Pipe Plug 1" NPT	239-02048-00	239-02048-00	239-02048-00	239-02048-00
13	Nipple Plastisert T & P	229-80982-00	229-32762-02	229-32762-02	229-32762-02
14	T&P Relief Valve	230-33630-04	230-30246-00	230-30246-00	230-30246-00
15	Exhaust Vent Pipe	239-45971-00	239-45971-00	239-45971-00	239-45971-00
16	Condensate Elbow	239-43211-00	239-43211-00	239-43211-00	239-43211-00
17	Silicone Tubing 3/16" I.D.	239-41718-00	239-41718-00	239-41718-00	239-41718-00
18	Outer Door Service Panel	243-44668-00	243-44668-00	243-44668-00	243-44668-00
19	Bracket Exhaust Support	239-44667-00	239-44667-00	239-44667-00	239-44667-00
20	Escutcheon-Exhaust Pipe (EF Series)	239-43997-00	239-43997-00	239-43997-00	239-43997-00
21	Exhaust Pressure Switch	239-46037-01	239-46037-01	239-46037-01	239-46037-01
22	Keps Nut (2 Req'd)	239-81844-00	239-81844-00	239-81844-00	239-81844-00
23	Hi-Limit Switch	239-43238-02	239-43238-02	239-43238-02	239-43238-02
24	Screw 6-32 x 3/8 (2 Req'd)	239-81843-00	239-81843-00	239-81843-00	239-81843-00
25	Cleanout Cover	205-18428-00	205-18428-00	205-18428-00	205-18428-00
25A	Cleanout Cover (ASME)	205-32941-00	205-32941-00	205-32941-00	205-32941-00
26	Cleanout Gasket	205-18427-00	205-18427-00	205-18427-00	205-18427-00
26A	Cleanout Gasket (ASME)	205-32942-00	205-32942-00	205-32942-00	205-32942-00
27	Screw 5/16 - 18 x 1/2	239-82166-00	239-82166-00	239-82166-00	239-82166-00
27A	Screw 5/16 - 18 x 1/2 (ASME) (6 Req'd)	239-32970-00	239-32970-00	239-32970-00	239-32970-00
28	Clean Out Access Cover	243-20299-00	243-20299-00	243-20299-00	243-20299-00
29	Inlet Tube Hydrojet (Front Connect)	229-44375-00	229-44375-00	229-44375-00	229-44375-00
30	Drain Valve Brass (No Handle)	265-42351-02	265-42351-02	265-42351-02	265-42351-02
31	Coaxial Vent Pipe with Terminal (Optional)	239-44069-01	239-44069-01	239-44069-01	239-44069-01
32	ASSE Approved Mixing Valve (Optional)	239-43740-02	239-43740-02	239-43740-02	239-43740-02
33	Reducer 3" x 2"	---	---	---	---
34	Hole Closure	239-31547-02	239-31547-02	239-31547-02	239-31547-02
35	Sensor Well	233-46558-01	233-46558-01	233-46558-01	233-46558-01
36	Clip Thermostat	233-45242-00	233-45242-00	233-45242-00	233-45242-00
37	Screw 1/4-20 x 5/8 Hex Washer (2 Req'd.)	239-42637-00	239-42637-00	239-42637-00	239-42637-00

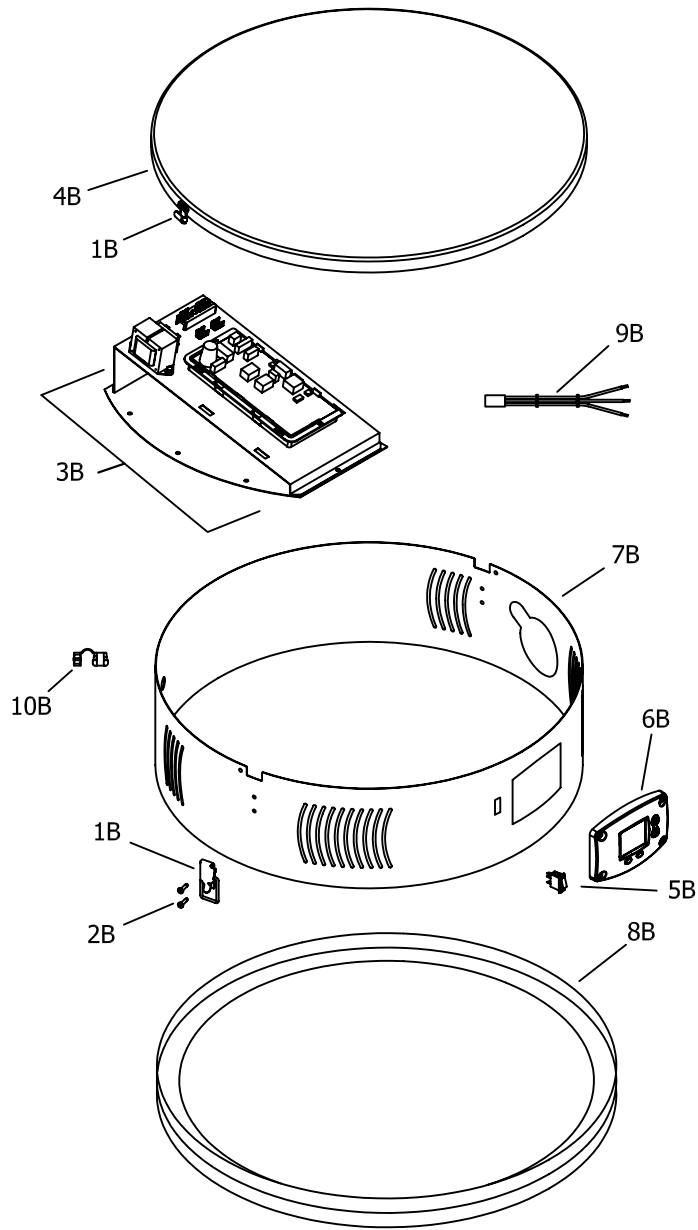
* Applies to all warranties





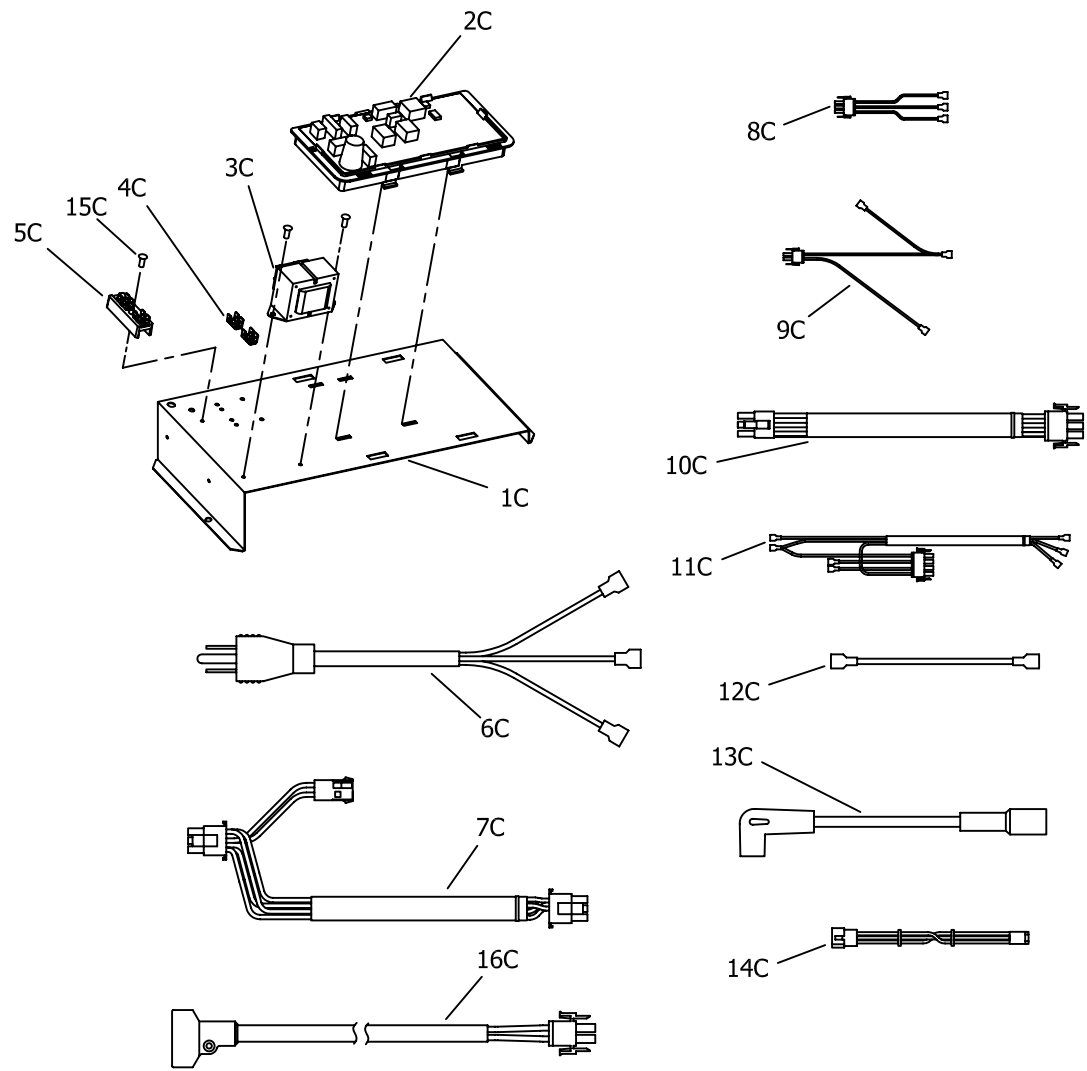
Item	Description	Model	Model	Model	Model
		EF100T300(E)*(N,X)(A)2	EF60T125(E)*(N,X)(A)2	EF60T150(E)*(N,X)(A)2	EF60T199(E)*(N,X)(A)2
1A	Combustion System Assembly (Nat).	243-48073-11	243-48073-03	243-48073-05	243-48073-07
	Combustion System Assembly (LP).	243-48073-12	243-48073-04	243-48073-06	243-48073-08
2A	Blower and Gas Valve Assembly (Nat).	243-46010-05	243-46009-01	243-46009-03	243-46010-01
	Blower and Gas Valve Assembly (LP).	243-46010-06	243-46009-02	243-46009-04	243-46010-02
3A	Burner Assembly EF	243-46024-00	243-46023-00	243-46023-00	243-46023-00
4A	Blower	265-43229-00	265-44037-00	265-44037-00	265-43229-00
5A	Hose Tubing 3/16" I.D.	239-41718-00	239-41718-00	239-41718-00	239-41718-00
6A	Burner Mounting Insert Gasket	239-43197-00	239-43197-00	239-43197-00	239-43197-00
7A	Screw 10-32 x 3/4 SHCS (4 Req'd)	239-43273-00	239-43273-00	239-43273-00	239-43273-00
8A	Gasket Venturi to blower	239-44654-00	239-44654-00	239-44654-00	239-44654-00
9A	Gas Valve Assembly (Nat.)	243-46007-04	243-46007-01	243-46007-02	243-46007-02
	Gas Valve Assembly (LP).	243-46008-04	243-46008-01	243-46008-02	243-46008-02
10A	Nipple 1/2 NPT X 3"	239-37047-00	239-37047-00	239-37047-00	239-37047-00
11A	Reducer 3/4 x 1/2 NPT	239-04474-00	239-04474-00	239-04474-00	239-04474-00
12A	Nipple 3/4 NPT x 7"	239-43373-00	239-43373-00	239-43373-00	239-43373-00
13A	2" x 3" Dia. Flex Reducer	239-40902-00	239-40902-00	239-40902-00	239-40902-00
14A	Inlet Tube (PVC)	239-43364-01	239-43364-01	239-43364-01	239-43364-01
15A	Gasket Blower Transition	239-43241-00	239-43241-00	239-43241-00	239-43241-00
16A	Screw 8-32 x 1/4 RHCR (4 Req'd)	239-43272-00	239-43272-00	239-43272-00	239-43272-00
17A	Gasket Flame Sensor	239-43371-00	239-43371-00	239-43371-00	239-43371-00
18A	Flame Sensor W/Gasket	265-43232-00	265-43232-00	265-43232-00	265-43232-00
19A	Blower Transition Weldment	239-43201-00	239-43201-00	239-43201-00	239-43201-00
20A	Nut Hex Washer (4 Req'd)	239-43297-00	239-43297-00	239-43297-00	239-43297-00
21A	Spark Rod (w/ Gasket)	265-46481-00	265-46481-00	265-46481-00	265-46481-00
22A	Spark Rod Gasket	239-43370-00	239-43370-00	239-43370-00	239-43370-00
23A	Burner Mounting Gasket	239-43246-00	239-43246-00	239-43246-00	239-43246-00
24A	Burner Tube Kit (w/ gasket)	265-46019-00	265-45624-00	265-45624-00	265-45624-00
25A	Burner Mounting Gasket	239-43246-00	239-43246-00	239-43246-00	239-43246-00
26A	Burner Mounting Insert	239-43167-00	239-43167-00	239-43167-00	239-43167-00
27A	Ground Wire Assembly 24" Green	239-38951-83	239-38951-83	239-38951-83	239-38951-83
28A	Gas Regulator Kit (optional)	243-45517-00	243-45517-00	243-45517-00	243-45517-00
29A	LP to Natural Gas Conversion Kit	265-46391-04	265-46391-01	265-46391-02	265-46391-02

* Applies to all warranties



Item	Description	Model	Model	Model	Model
		EF100T300(E)*(N,X)(A)2	EF60T125(E)*(N,X)(A)2	EF60T150(E)*(N,X)(A)2	EF60T199(E)*(N,X)(A)2
1B	Keeper Latch & Catch	239-43239-00	239-43239-00	239-43239-00	239-43239-00
2B	Screw 8-32 x 1/2 RHCR (2 Req'd)	239-41715-00	239-41715-00	239-41715-00	239-41715-00
3B	Ignition Control Assembly	243-47149-01 (see page 16) 243-47149-01 (see page 16) 243-47149-01 (see page 16) 243-47149-01 (see page 16)			
4B	Surround Head-EF Comm.	243-45823-02	243-45823-02	243-45823-02	243-45823-02
5B	Main Power Switch	239-43234-00	239-43234-00	239-43234-00	239-43234-00
6B	Control Display-Honeywell Integrated Control	265-46557-00	265-46557-00	265-46557-00	265-46557-00
7B	Ring Combustion Surround	239-47305-02	239-47305-02	239-47305-02	239-47305-02
8B	Combustion Surround Base	239-43710-02	239-43710-02	239-43710-02	239-43710-02
9B	Integrated Control Display Harness	239-46617-00	239-46617-00	239-46617-00	239-46617-00
10B	Strain Relief Bushing (Power Cord)	239-80372-00	239-80372-00	239-80372-00	239-80372-00

* Applies to all warranties



Item	Description	Model	Model	Model	Model
		EF100T300(E)*(N,X)(A)2	EF60T125(E)*(N,X)(A)2	EF60T150(E)*(N,X)(A)2	EF60T199(E)*(N,X)(A)2
1C	Control Panel	239-48060-00	239-48060-00	239-48060-00	239-48060-00
2C	Integrated Control Board	233-46954-00	233-46954-00	233-46954-00	233-46954-00
3C	Transformer	233-44072-01	233-44072-01	233-44072-01	233-44072-01
4C	Ground Lug	239-80112-00	239-80112-00	239-80112-00	239-80112-00
5C	Terminal Strip	239-80373-00	239-80373-00	239-80373-00	239-80373-00
6C	Power Cord	239-44466-00	239-44466-00	239-44466-00	239-44466-00
7C	Control Harness	239-46863-00	239-46863-00	239-46863-00	239-46863-00
8C	Primary Harness	239-46531-00	239-46531-00	239-46531-00	239-46531-00
9C	Secondary Harness	239-46530-00	239-46530-00	239-46530-00	239-46530-00
10C	Blower Harness	239-46865-00	239-46865-00	239-46865-00	239-46865-00
11C	Power Switch Harness	239-46864-00	239-46864-00	239-46864-00	239-46864-00
12C	Sensor Wire 19" Black	239-38951-65	239-38951-65	239-38951-65	239-38951-65
13C	High Voltage Spark Cable	239-46861-00	239-46861-00	239-46861-00	239-46861-00
14C	Integrated Control Board Display Harness	239-46944-00	239-46944-00	239-46944-00	239-46944-00
15C	Screw #8-18 x 1/2 PHCR (3 Req'd)	239-43736-00	239-43736-00	239-43736-00	239-43736-00
16C	Rectifier Harness EF	239-43571-00	239-43571-00	239-43571-00	239-43571-00

* Applies to all warranties