



RESIDENTIAL GAS REPLACEMENT PARTS LIST

Through-The-Wall TTW[®]1 Energy Saver (MI) Models

Dash Twelve, Thirteen, Fifteen
(-12, -13, -15)



TO GET YOUR BRADFORD WHITE REPLACEMENT PARTS

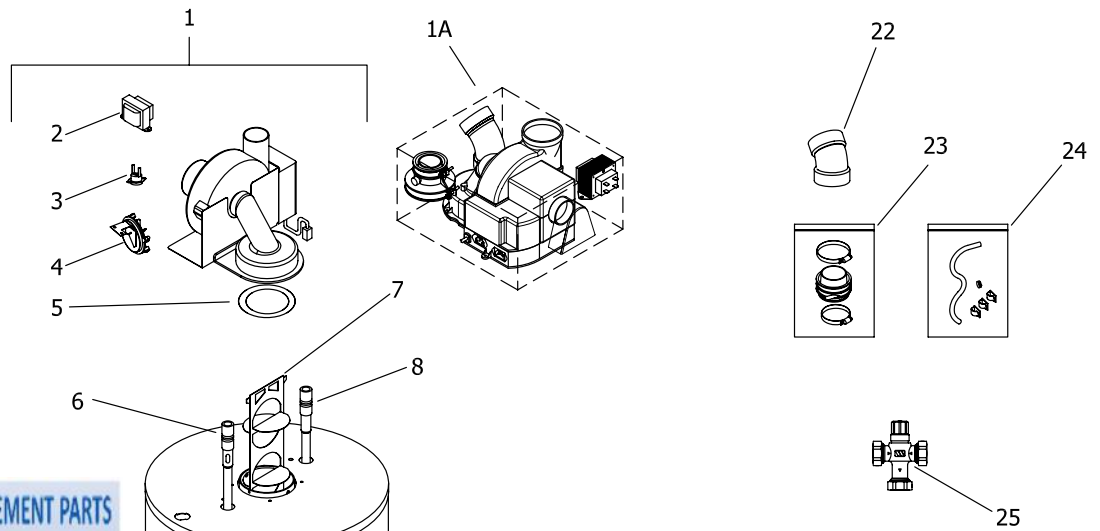
1. USE THE ILLUSTRATION TO FIND THE PART YOU NEED
2. FIND YOUR MODEL WATER HEATER NUMBER ON THE FOLLOWING PAGES
3. REFER TO THE PARTS LISTINGS WITHIN THE COLUMNS
4. IF THE PART NUMBER IS HIGHLIGHTED IN YELLOW YOU CAN DIRECTLY CLICK AND GO THE SHOPPING CART
5. IF THE PART IS NOT DIRECTLY LINKED FIRST USE THE QUICK SEARCH BOX AND IF IT STILL IS NOT FOUND USE THE CONTACT US FORM AND SOMEONE WILL RESPOND WITHIN HOURS.

Includes Hydrojet[®]
Total Performance System

Effective: July 31, 2008
ECO 7291-2

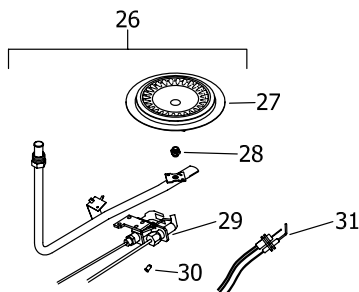
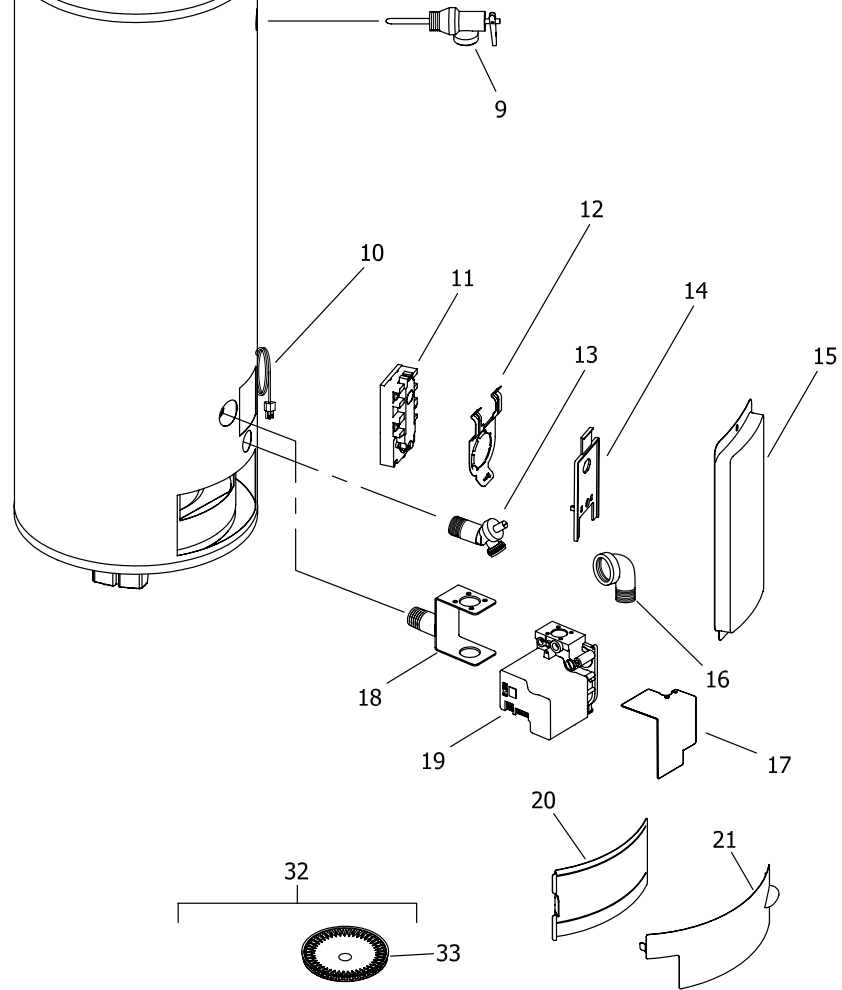
**NOTE: BOTH MODEL AND SERIAL
NUMBERS ARE REQUIRED FOR
ORDERING REPLACEMENT PARTS**

Dimensions and specifications
subject to change without notice.

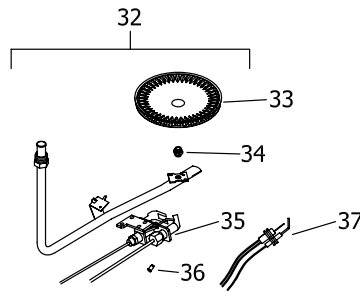


TO GET YOUR BRADFORD WHITE REPLACEMENT PARTS

1. USE THE ILLUSTRATION TO FIND THE PART YOU NEED
2. FIND YOUR MODEL WATER HEATER NUMBER ON THE FOLLOWING PAGES
3. REFER TO THE PARTS LISTINGS WITHIN THE COLUMNS
4. IF THE PART NUMBER IS HIGHLIGHTED IN YELLOW YOU CAN DIRECTLY CLICK AND GO THE SHOPPING CART
5. IF THE PART IS NOT DIRECTLY LINKED FIRST USE THE QUICK SEARCH BOX AND IF IT STILL IS NOT FOUND USE THE CONTACT US FORM AND SOMEONE WILL RESPOND WITHIN HOURS.



NATURAL GAS (BN) BURNER ASSEMBLY



LP GAS (SX) BURNER ASSEMBLY

LP GAS (SX) BURNER ASSEMBLY TO REPLACE LP GAS (CX) BURNER ASSEMBLY
ON ALL MODELS EXCEPT 75 & 100 GAL. MODELS

Item	Description	Model	Model
		MITW40L*(BN,EN,CX) (-12,-13,-15)	MITW50L*(BN,EN,CX) (-12,-13,-15)
1	Blower	265-41605-00	265-41605-00
1A	Universal SVC Blower Kit	265-47200-00	265-47200-00
2	Transformer	233-41863-00	233-41863-00
3	Temperature Switch	233-41831-00	233-41831-00
4	Pressure Switch	239-45460-00	239-45460-00
5	Blower Gasket	239-42644-00	239-42644-00
6	Hot Water Outlet Anode Magnesium	224-32731-89	224-32731-89
	Hot Water Outlet Aluminum	224-32999-22	224-32999-22
	Hot Water Outlet A420 Aluminum	224-45147-01	224-45147-01
7	Baffle	243-45372-00	243-45372-00
8	Cold Water Inlet Dip Tube Polypropylene	229-39625-20	229-39625-20
	Cold Water Inlet Polysulfone (NC Code)	229-39628-20	229-39628-20
9	T&P Relief Valve	230-32920-01	230-32920-01
10	Power Cord	239-39772-00	239-39772-00
11	Thermostat	265-42034-00	265-42034-00
12	Thermostat Bracket	239-44478-00	239-44478-00
13	Brass Drain Valve	265-42351-02	265-42351-02
14	Thermostat Protector	223-40399-00	223-40399-00
15	Hand Hole Cover	243-36618-02	243-36618-02
16	Street Elbow	239-40779-00	239-40779-00
17	Gas Valve Cover	239-40896-00	239-40896-00
18	Gas Valve Bracket	239-40687-00	239-40687-00
19	Gas Valve Natural Gas	222-40762-01	222-40762-01
	Gas Valve LP Gas	222-40762-02	222-40762-02
20	Inner Door Complete (Sliding)	243-36739-02	243-36739-02
21	Outer Door	243-41061-00	243-41061-00
22	Vent Terminal Elbow	239-39831-00	239-39831-00
23	2" Exhaust Adaptor Kit	239-45216-00	239-45216-00
24	Condensate Hose Kit (Optional)	239-43869-00	239-43869-00
25	ASSE Approved Mixing Valve (Optional)	239-43740-01	239-43740-01
Natural Gas (BN) Burner Assembly		(Replacement for Natural Gas (EN) Burner)	
26	Nat. Gas (BN) Burner Assembly Complete**	265-47439-12-32	265-47439-12-32
27	Nat. Gas (BN) Burner	228-42506-00	228-42506-00
28	Nat. Gas (BN) Main Burner Orifice	234-41034-32	234-41034-32
	Nat. Gas (BN) High Altitude 2001 Ft. to 5000 Ft.	234-41034-36	234-41034-36
	Nat. Gas (BN) High Altitude 5001 Ft. to 8000 Ft.	234-41034-38	234-41034-38
	Nat. Gas (BN) High Altitude Over 8000 Ft.	234-41034-38	234-41034-38
29	Nat. Gas Pilot Assembly	233-40876-02	233-40876-02
30	Nat. Gas Pilot Orifice	234-45869-01	234-45869-01
31	Nat. Gas Igniter/Flame Sensor	239-40918-00	239-40918-00
LP Gas (SX) Titanium Stabilized Stainless Steel Burner Assembly		(Replacement for LP Gas (CX) Cast Iron Burner)	
32	LP Gas (SX) Burner Assembly Complete**	265-47440-22-50	265-47440-22-50
33	LP Gas (SX) Burner	228-46964-00	228-46964-00
34	LP Gas (SX) Main Burner Orifice	234-47064-50	234-47064-50
	LP Gas (SX) High Altitude 2001 Ft. to 5000 Ft.	234-47064-51	234-47064-51
	LP Gas (SX) High Altitude 5001 Ft. to 8000 Ft.	234-47064-52	234-47064-52
	LP Gas (SX) High Altitude Over 8000 Ft.	234-47064-53	234-47064-53
35	LP Gas Pilot Assembly	233-40877-02	233-40877-02
36	LP Gas Pilot Orifice	234-45869-02	234-45869-02
37	LP Gas Igniter/Flame Sensor	239-40918-00	239-40918-00

TO GET YOUR BRADFORD WHITE REPLACEMENT PARTS

1. USE THE ILLUSTRATION TO FIND THE PART YOU NEED
2. FIND YOUR MODEL WATER HEATER NUMBER ON THE FOLLOWING PAGES
3. REFER TO THE PARTS LISTINGS WITHIN THE COLUMNS
4. IF THE PART NUMBER IS HIGHLIGHTED IN YELLOW YOU CAN DIRECTLY CLICK AND GO THE SHOPPING CART
5. IF THE PART IS NOT DIRECTLY LINKED FIRST USE THE QUICK SEARCH BOX AND IF IT STILL IS NOT FOUND USE THE CONTACT US FORM AND SOMEONE WILL RESPOND WITHIN HOURS.

*Applies to all warranties

**Ordering a complete burner assembly may increase delivery time. Please order the specific component required for the quickest delivery.