



RESIDENTIAL GAS REPLACEMENT PARTS LIST

Through-The-Wall TTW[®]2 Energy Saver (MII) Models



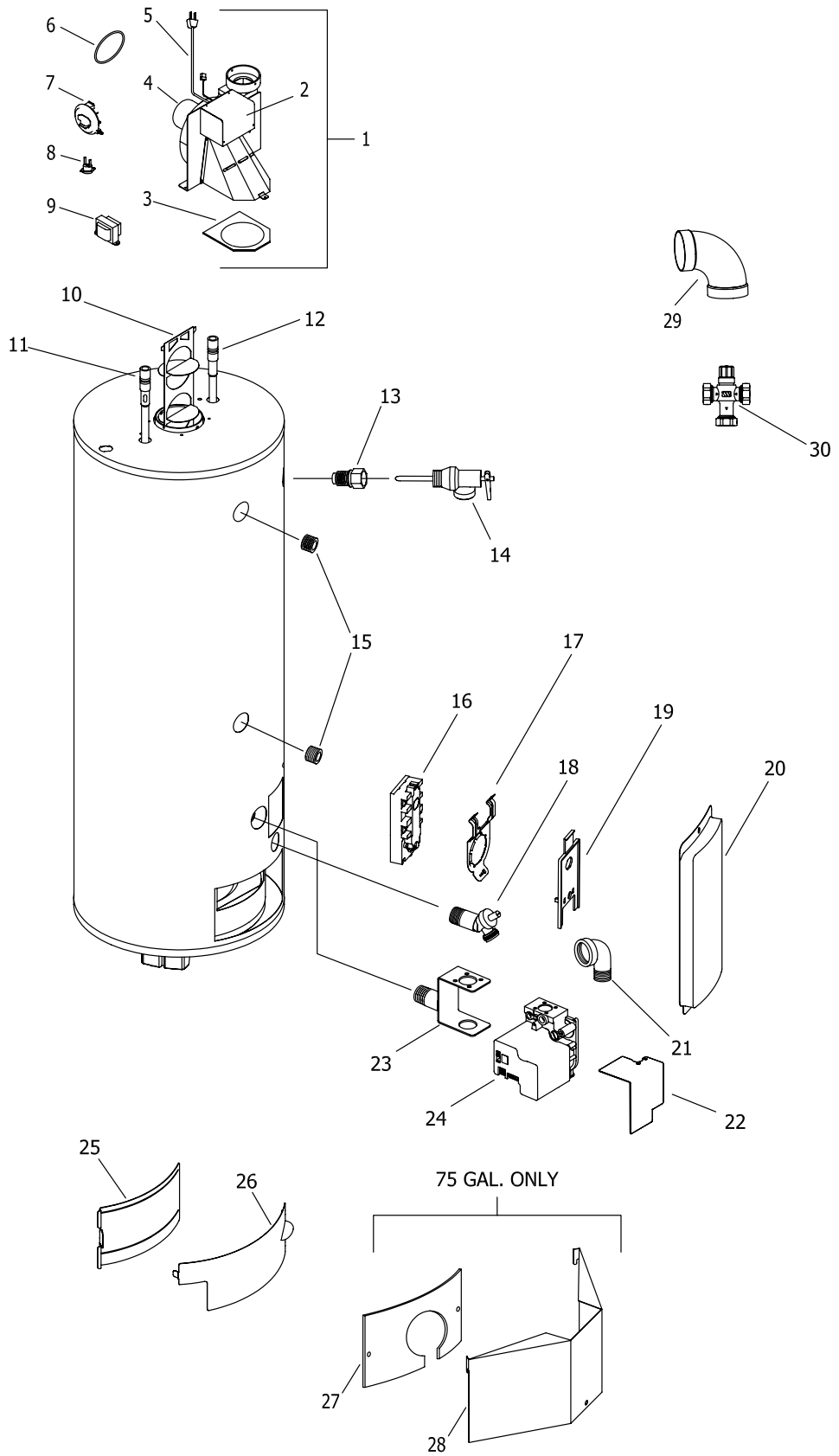
Dash Ten (-10) Series

Includes Hydrojet[®]
Total Performance System

Effective: July 31, 2008
ECO 7291-2

**NOTE: BOTH MODEL AND SERIAL
NUMBERS ARE REQUIRED FOR
ORDERING REPLACEMENT PARTS**

Dimensions and specifications
subject to change without notice.



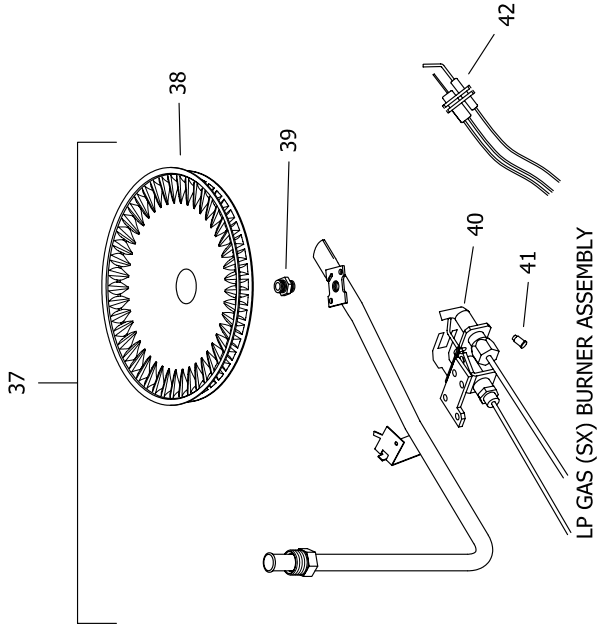
LP GAS (SX) BURNER ASSEMBLY TO REPLACE LP GAS (CX) BURNER ASSEMBLY
ON ALL MODELS EXCEPT 75 & 100 GAL. MODELS

Item	Description	Model MIITW50T*(LN,EN,CX)10	Model MIITW65T*(EN,CX)10	Model MIITW75T*(CN,CX)10
1	Complete blower & Motor Assembly***	239-40614-00	239-40614-00	239-40614-00
2	Junction Box Cover	239-40777-00	239-40777-00	239-40777-00
3	Blower Vent Gasket	239-41642-01	239-41642-01	239-41642-01
4	Blower Motor Only	239-40778-00	239-40778-00	239-40778-00
5	10' Power Cord	239-39772-00	239-39772-00	239-39772-00
6	Blower Motor Gasket	239-60126-00	239-60126-00	239-60126-00
7	Pressure Switch (mpl) Kit	265-45525-00	265-45525-00	265-45525-00
8	E.C.O. Hi-Limit Switch 36T11	233-45876-00	233-45876-00	233-45876-00
9	Transformer 120V (40VA)	233-40753-00	233-40753-00	233-40753-00
10	Flue Baffle	239-40552-00	239-40552-00	239-40552-00
11	Hot Water Outlet Anode Magnesium	224-32731-86	224-32731-83	224-32731-83
	Hot Water Outlet Anode Aluminum	224-32999-30	224-32999-07	224-32999-07
	Hot Water Outlet Anode A420 Aluminum	224-45147-01	224-45147-01	224-45147-01
12	Cold Water Inlet Diptube Polypropylene	229-39625-17	229-39625-08	229-39625-08
	Cold Water Inlet Diptube Polysulfone (NC Code)	229-39628-17	229-39628-08	229-39628-08
13	T&P Valve Extender	229-19100-00	---	229-19100-00
14	T&P Relief Valve	265-32920-01	265-32920-01	265-32920-01
15	3/4" NPT Plug	239-11638-00	239-11638-00	239-11638-00
16	Thermostat (Thermo-Disc 89T13)	265-42034-00	265-42034-00	265-42034-00
17	Thermostat Bracket	239-44478-00	239-44478-00	239-44478-00
18	Brass Drain Valve	265-42351-02	265-42351-02	265-42351-02
19	Thermostat Cover	223-40399-00	223-40399-00	223-40399-00
20	Hand Hole Cover	243-36618-02	243-36618-02	243-36618-02
21	Street Elbow	239-40779-00	239-40779-00	239-40779-00
22	Gas Valve Cover	239-40896-00	239-40896-00	239-40896-00
23	Gas Valve Bracket	239-40687-00	239-40687-00	239-40687-00
24	Honeywell Smart Valve Natural Gas	265-40762-01	265-40762-01	265-40762-01
	Honeywell Smart Valve LP Gas	265-40762-02	265-40762-02	265-40762-02
25	Inner Door Complete (Sliding)	243-36739-02	243-36739-02	---
26	Outer Door	243-41061-00	243-41061-00	---
27	Inner Door Complete (75 GAL. ONLY)	---	---	243-39207-00
28	Outer Door (75 GAL. ONLY)	---	---	243-37177-00
29	Elbow Vent Terminal	239-40579-00	239-40579-00	239-40579-00
30	ASSE Approved Mixing Valve (Optional)	239-43740-01	239-43740-01	239-43740-01
--	Power Cord Conversion Kit***	243-41889-00	243-41889-00	243-41889-00

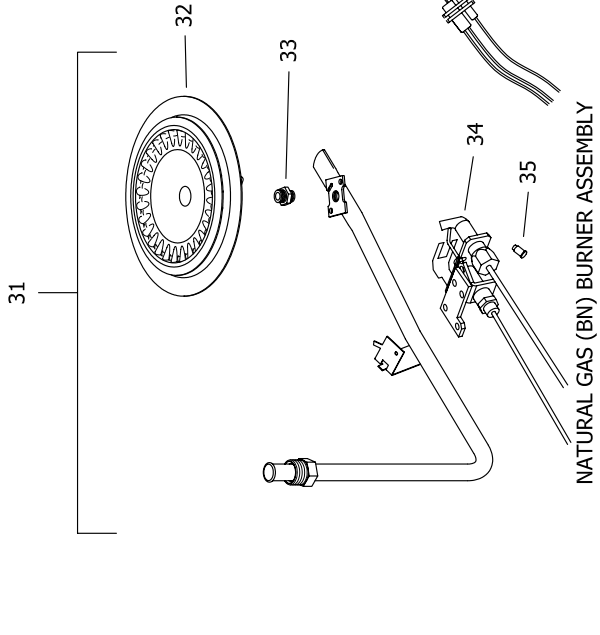
*All warranties

**Ordering a complete burner assy may increase delivery time. Please order the specific component req'd for the quickest delivery

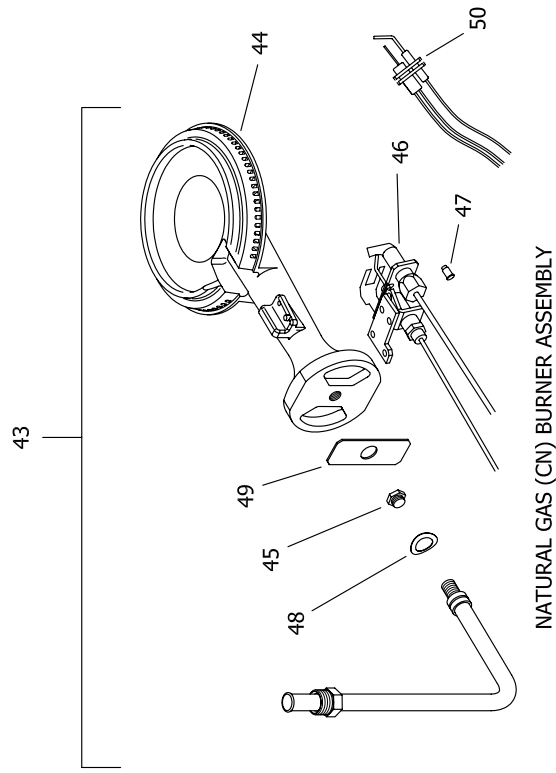
Power cord kit 243-41889-00 required with blower assembly for models with serial # prior to WB**



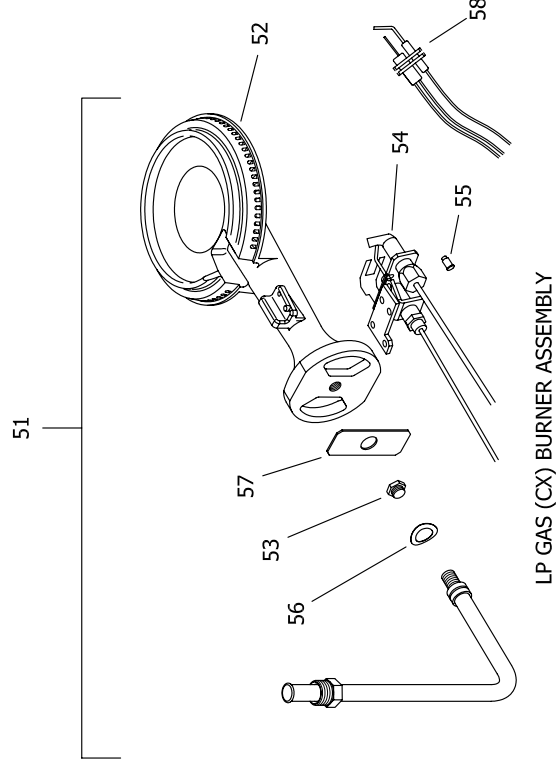
NATURAL GAS (BN) BURNER ASSEMBLY



LP GAS (SX) BURNER ASSEMBLY



NATURAL GAS (CN) BURNER ASSEMBLY



LP GAS (CX) BURNER ASSEMBLY

LP GAS (SX) BURNER ASSEMBLY TO REPLACE LP GAS (CX) BURNER ASSEMBLY
ON ALL MODELS EXCEPT 75 & 100 GAL. MODELS

Item Description	Model MIITW50T*(LN,EN,CX)10 Replacement for Nat. Gas LN & EN Cast Iron Burners (EXCEPT 75 & 100 GALLON)	Model MIITW65T*(EN,CX)10 Replacement for Nat. Gas LN & EN Cast Iron Burners (EXCEPT 75 & 100 GALLON)	Model MIITW75T*(CN,CX)10
31 Nat. Gas Burner Assembly Complete**	265-47439-12-27	265-47439-12-27	---
32 Nat. Gas Burner	265-42506-00-27	265-42506-00-27	---
33 Nat. Gas Main Burner Orifice (0ft to 2000ft)	234-41034-27	234-41034-27	---
Nat. Gas High Altitude (2001ft to 5000ft)	234-41034-29	234-41034-29	---
Nat. Gas High Altitude (5001ft to 8000ft)	234-41034-30	234-41034-30	---
Nat. Gas High Altitude (8001ft & above)	234-41034-31	234-41034-31	---
Nat. Gas Pilot Assembly	233-40876-02	233-40876-02	---
Nat. Gas Pilot Orifice	234-45869-01	234-45869-01	---
Nat. Gas Igniter/Flame Sensor	239-40918-00	239-40918-00	---
LP Gas (SX) Titanium Stabilized Stainless Steel Burner Assembly Replacement for LP Gas CX Cast Iron Burner (EXCEPT 75 & 100 GALLON)			
37 LP Gas Burner Assembly Complete **	265-47440-21-43	265-47440-21-43	---
38 LP Gas Burner	228-47000-00	228-47000-00	---
39 LP Gas Main Burner Orifice (0ft to 2000ft)	234-47064-43	234-47064-43	---
LP Gas High Altitude (2001ft to 5000ft)	234-47064-44	234-47064-44	---
LP Gas High Altitude (5001ft to 8000ft)	234-47064-47	234-47064-47	---
LP Gas High Altitude (8001ft & above)	234-47064-48	234-47064-48	---
LP Gas Pilot Assembly	233-40877-02	233-40877-02	---
LP Gas Pilot Orifice	234-45869-02	234-45869-02	---
LP Gas Igniter/Flame Sensor	239-40918-00	239-40918-00	---
Natural Gas (CN) Cast Iron Burner Assembly			
43 Nat. Gas Cast Iron Burner Assembly Complete **	---	---	265-40797-01-23
44 Nat. Gas Cast Iron Burner	---	---	228-14173-00
45 Nat. Gas Main Burner Orifice (0ft to 2000ft)	---	---	234-18194-23
Nat. Gas High Altitude (2001ft to 5000ft)	---	---	234-18194-28
Nat. Gas High Altitude (5001ft to 8000ft)	---	---	234-18194-29
Nat. Gas High Altitude (8001ft & above)	---	---	234-18194-30
Nat. Gas Pilot Assembly	---	---	233-45513-00
Nat. Gas Pilot Orifice	---	---	234-60124-00
Spring Washer	---	---	239-40729-00
Air Shutter	---	---	239-35466-00
LP Gas Igniter/Flame Sensor	---	---	239-40918-00
LP Gas (CX) Cast Iron Burner Assembly			
51 LP Gas Cast Iron Burner Assembly Complete **	SEE ITEM 34	SEE ITEM 34	265-40815-02-41
52 LP Gas Cast Iron Burner	SEE ITEM 34	SEE ITEM 34	228-14173-00
53 LP Gas Main Burner Orifice (0ft to 2000ft)	SEE ITEM 34	SEE ITEM 34	234-35928-41
LP Gas High Altitude (2001ft to 5000ft)	SEE ITEM 34	SEE ITEM 34	234-35928-44
LP Gas High Altitude (5001ft to 8000ft)	SEE ITEM 34	SEE ITEM 34	234-35928-45
LP Gas High Altitude (8001ft & above)	SEE ITEM 34	SEE ITEM 34	234-35928-46
LP Gas Pilot Assembly	SEE ITEM 34	SEE ITEM 34	233-45514-00
LP Gas Pilot Orifice	SEE ITEM 34	SEE ITEM 34	234-60125-00
Spring Washer	SEE ITEM 34	SEE ITEM 34	239-40729-00
Air Shutter	SEE ITEM 34	SEE ITEM 34	239-35466-00
Nat. Gas Igniter/Flame Sensor	SEE ITEM 34	SEE ITEM 34	239-40918-00

*All warranties

**Ordering a complete burner assy may increase delivery time. Please order the specific component req'd for the quickest delivery

Power cord kit 243-41889-00 required with blower assembly for models with serial # prior to WB**





BRADFORD WHITE®

W A T E R H E A T E R S

Ambler, PA

For U.S. and Canada field service,
contact your professional installer or
local Bradford White sales representative.

Sales/800-523-2931
Fax/215-641-1670
Parts Fax/215-641-2180

Technical Support/800-334-3393
Fax/269-795-1089

Warranty/800-531-2111
Fax/269-795-1089

International:
Telephone/215-641-9400
Telefax/215-641-9750



BRADFORD WHITE-CANADA® INC.

Mississauga, ON

Sales/866-690-0961
905-238-0100

Fax/905-238-0105

Technical Support/800-334-3393

Email

parts@bradfordwhite.com
techserv@bradfordwhite.com

www.bradfordwhite.com