



## RESIDENTIAL GAS REPLACEMENT PARTS LIST

### Through-The-Wall (TTW1) Energy Saver (MI) Models



**Includes Hydrojet® Total Performance System**

#### TO GET YOUR BRADFORD WHITE REPLACEMENT PARTS

1. USE THE ILLUSTRATION TO FIND THE PART YOU NEED
2. FIND YOUR MODEL WATER HEATER NUMBER ON THE FOLLOWING PAGES
3. REFER TO THE PARTS LISTINGS WITHIN THE COLUMNS
4. IF THE PART NUMBER IS HIGHLIGHTED IN YELLOW YOU CAN DIRECTLY CLICK AND GO THE SHOPPING CART
5. IF THE PART IS NOT DIRECTLY LINKED FIRST USE THE QUICK SEARCH BOX AND IF IT STILL IS NOT FOUND USE THE CONTACT US FORM AND SOMEONE WILL RESPOND WITHIN HOURS.

**Dash Ten  
(-10) Models**

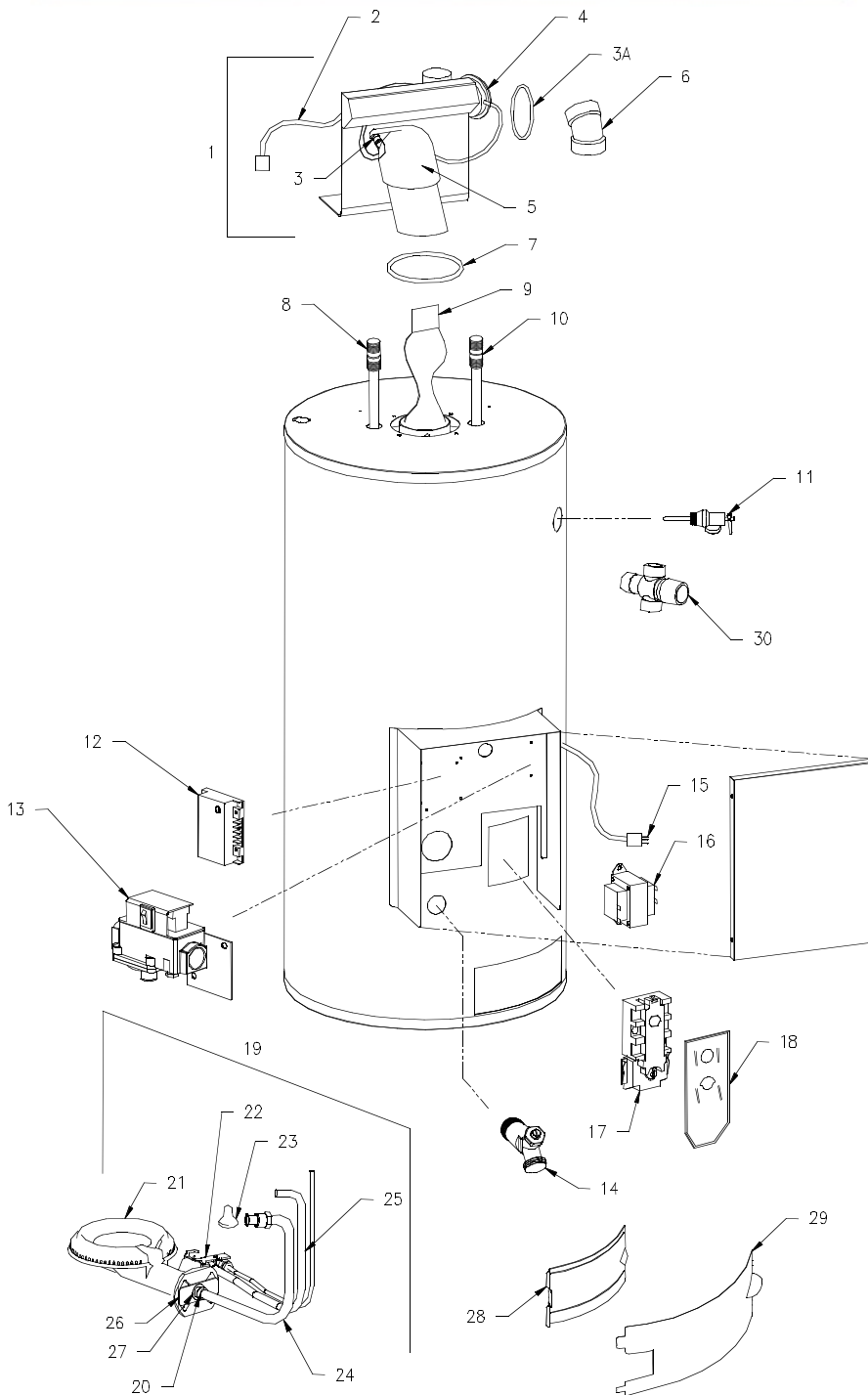
***Effective: October 15, 2002***

**NOTE: BOTH MODEL AND SERIAL NUMBER ARE REQUIRED FOR ORDERING REPLACEMENT PARTS**

Dimensions and specifications subject to change without notice.

## TO GET YOUR BRADFORD WHITE REPLACEMENT PARTS

1. USE THE ILLUSTRATION TO FIND THE PART YOU NEED
2. FIND YOUR MODEL WATER HEATER NUMBER ON THE FOLLOWING PAGES
3. REFER TO THE PARTS LISTINGS WITHIN THE COLUMNS
4. IF THE PART NUMBER IS HIGHLIGHTED IN YELLOW YOU CAN DIRECTLY CLICK AND GO THE SHOPPING CART
5. IF THE PART IS NOT DIRECTLY LINKED FIRST USE THE QUICK SEARCH BOX AND IF IT STILL IS NOT FOUND USE THE CONTACT US FORM AND SOMEONE WILL RESPOND WITHIN HOURS.



### Reference Number & Description

- |    |                            |
|----|----------------------------|
| 1  | Blower Assembly Complete   |
| 2  | Blower assembly Cord Set   |
| 3  | Temperature Switch         |
| 3A | Blower Gasket              |
| 4  | Pressure Switch            |
| 5  | Pressure Tube              |
| 6  | Terminal Vent              |
| 7  | Blower Gasket              |
| 8  | Hot Water Outlet/Anode     |
| 9  | Flue Baffle                |
| 10 | Cold Water Inlet Tube      |
| 11 | T&P Relief Valve           |
| 12 | Electronic Module          |
| 13 | Gas Valve                  |
| 14 | Brass Drain Valve          |
| 15 | Power Cord                 |
| 16 | Transformer                |
| 17 | Thermostat                 |
| 18 | Thermostat Cover           |
| 19 | Cast Iron Burner Complete  |
| 20 | Main Burner Orifice        |
| 21 | Cast Iron Burner Only      |
| 22 | Pilot Assembly             |
| 23 | Pilot Orifice              |
| 24 | Gas Feed Line              |
| 25 | Aluminum Pilot Tube        |
| 26 | Air Shutter                |
| 27 | Washer Spring Crescent     |
| 28 | Inner Door                 |
| 29 | Outer Door                 |
| 30 | Tempering Valve (Optional) |

## Parts Common To MITW40L\*LN(CX)-10 Models

| Reference Number and Description      | Part Number  |
|---------------------------------------|--------------|
| 1 Blower Assembly Complete            | 239-39785-00 |
| 2 Blower Assembly Cord Set            | 239-39764-00 |
| 3 Temperature Switch                  | 233-41831-00 |
| 3A Blower Gasket**                    | 239-39792-00 |
| 4 Pressure Switch                     | 239-39787-00 |
| 5 Pressure Tube                       | 239-39384-00 |
| 6 Terminal Vent 2" PVC (45° w/screen) | 239-39831-00 |
| 7 Blower Gasket                       | 239-39765-00 |
| 8 Hot Water Outlet/Anode Magnesium    | 224-32731-81 |
| 9 Flue Baffle                         | 243-39998-00 |
| 10 Cold Water Inlet Tube (Hydrojet)   | 229-39625-04 |
| 11 T&P Relief Valve                   | 265-32920-01 |
| 12 Electronic Module                  | 265-39949-00 |
| 14 Drain Valve Brass                  | 227-42351-02 |
| 15 Power Cord                         | 239-39772-00 |
| 16 Transformer 120V                   | 233-39758-00 |
| 17 Thermostat-89T13                   | 265-42034-00 |
| 18 Thermostat Cover                   | 223-40399-00 |
| 28 Inner Door                         | 243-36739-02 |
| 29 Outer Door                         | 243-41061-00 |

### Optional Parts Reference Number and Description

|                                    |              |
|------------------------------------|--------------|
| 8 Hot Water Outlet/Anode Aluminum  | 224-32999-10 |
| 10 Cold Water Inlet Tube (Hi temp) | 229-39628-04 |
| 30 Tempering Valve                 | 239-43740-01 |

## Parts Unique To MITW40L\*LN-10

| Reference Number and Description            | Part Number  |
|---|--------------|
| 13 Gas Valve (nat) SCP-SC300 NES            | 265-40148-01 |
| 19 Replacement Cast Iron Burner Complete*** | 243-43580-01 |
| 20 Main Burner Orifice                      | 234-18194-32 |
| 21 Cast Iron burner Only                    | 228-14173-00 |
| 22 Pilot Assembly Complete (nat)            | 243-43579-00 |
| 23 Pilot Orifice (nat)                      | 234-33098-03 |
| 24 Gas Feed Line                            | 233-43576-01 |
| 25 Aluminum Pilot Tube                      | 233-33039-03 |
| 26 Air Shutter                              | 243-35466-00 |
| 27 Washer Spring Crescent                   | 239-40729-00 |

### Optional High Altitude Orifice

|   |              |
|---|--------------|
| 20 High Altitude Orifice 2000 Ft. to 5000 Ft. | 234-18194-36 |
| 20 High Altitude Orifice 5000 Ft. to 8000 Ft. | 234-18194-38 |
| 20 High Altitude Orifice Over 8000 Ft.        | 234-18194-38 |

## Parts Unique To MITW40L\*CX10

| Reference Number and Description      | Part Number  |
|---------------------------------------|--------------|
| 13 Gas Valve (LP)                     | 265-40148-02 |
| 19 Complete Cast Iron Burner Assembly | 243-39847-01 |
| 20 Main Burner Orifice                | 234-35928-50 |
| 21 Cast Iron Burner Only              | 228-14173-00 |
| 22 Pilot Assembly Complete            | 233-41300-01 |
| 23 Pilot Orifice                      | N/A          |
| 24 Gas Feed Line                      | 233-39774-01 |
| 25 Aluminum Pilot Tube                | 233-33039-02 |
| 26 Air Shutter                        | 243-35466-00 |
| 27 Washer Spring Crescent             | 239-40729-00 |

### Optional High Altitude Orifice

|   |              |
|---|--------------|
| 20 High Altitude Orifice 2000 Ft. to 5000 Ft. | 234-35928-51 |
| 20 High Altitude Orifice 5000 Ft. to 8000 Ft. | 234-35928-52 |
| 20 High Altitude Orifice Over 8000 Ft.        | 234-35928-53 |

\* Applies to all warranties

\*\* A t-25 torx head driver may be required to remove gasket.

\*\*\* Sheet metal burner no longer available

## Parts Common To MITW50L\*LN(CX)-10 Models

| Reference Number and Description      | Part Number  |
|---------------------------------------|--------------|
| 1 Blower Assembly Complete            | 239-39785-00 |
| 2 Blower Assembly Cord Set            | 239-39764-00 |
| 3 Temperature Switch                  | 233-41831-00 |
| 3A Blower Gasket**                    | 239-39792-00 |
| 4 Pressure Switch                     | 239-39787-00 |
| 5 Pressure Tube                       | 239-39384-00 |
| 6 Terminal Vent 2" PVC (45° w/screen) | 239-39831-00 |
| 7 Blower Gasket                       | 239-39765-00 |
| 8 Hot Water Outlet/Anode Magnesium    | 224-32731-81 |
| 9 Flue Baffle                         | 243-39998-00 |
| 10 Cold Water Inlet Tube (Hydrojet)   | 229-39625-04 |
| 11 T&P Relief Valve                   | 265-32920-01 |
| 12 Electronic Module                  | 265-39949-00 |
| 14 Drain Valve Brass                  | 227-42351-02 |
| 15 Power Cord                         | 239-39772-00 |
| 16 Transformer 120V                   | 233-39758-00 |
| 17 Thermostat-89T13                   | 265-42034-00 |
| 18 Thermostat Cover                   | 223-40399-00 |
| 28 Inner Door                         | 243-36739-02 |
| 29 Outer Door                         | 243-41061-00 |

### Optional Parts Reference Number and Description

|                                    |              |
|------------------------------------|--------------|
| 8 Hot Water Outlet/Anode Aluminum  | 224-32999-10 |
| 10 Cold Water Inlet Tube (Hi temp) | 229-39628-04 |
| 30 Tempering Valve                 | 239-43740-01 |

## Parts Unique To MITW50L\*LN-10

| Reference Number and Description            | Part Number  |
|---|--------------|
| 13 Gas Valve (nat) SCP-SC300 NES            | 265-40148-01 |
| 19 Replacement Cast Iron Burner Complete*** | 243-43580-02 |
| 20 Main Burner Orifice                      | 234-18194-32 |
| 21 Cast Iron burner Only                    | 228-14173-00 |
| 22 Pilot Assembly Complete (nat)            | 243-43579-00 |
| 23 Pilot Orifice (nat)                      | 234-33098-03 |
| 24 Gas Feed Line                            | 233-43576-02 |
| 25 Aluminum Pilot Tube                      | 233-33039-03 |
| 26 Air Shutter                              | 243-35466-00 |
| 27 Washer Spring Crescent                   | 239-40729-00 |

### Optional High Altitude Orifice

|   |              |
|---|--------------|
| 20 High Altitude Orifice 2000 Ft. to 5000 Ft. | 234-18194-36 |
| 20 High Altitude Orifice 5000 Ft. to 8000 Ft. | 234-18194-38 |
| 20 High Altitude Orifice Over 8000 Ft.        | 234-18194-38 |

## Parts Unique To MITW50L\*CX10

| Reference Number and Description      | Part Number  |
|---------------------------------------|--------------|
| 13 Gas Valve (LP)                     | 265-40148-02 |
| 19 Complete Cast Iron Burner Assembly | 243-39847-02 |
| 20 Main Burner Orifice                | 234-35928-50 |
| 21 Cast Iron Burner Only              | 228-14173-00 |
| 22 Pilot Assembly Complete            | 233-41300-01 |
| 23 Pilot Orifice                      | N/A          |
| 24 Gas Feed Line                      | 233-39774-02 |
| 25 Aluminum Pilot Tube                | 233-33039-02 |
| 26 Air Shutter                        | 243-35466-00 |
| 27 Washer Spring Crescent             | 239-40729-00 |

### Optional High Altitude Orifice

|   |              |
|---|--------------|
| 20 High Altitude Orifice 2000 Ft. to 5000 Ft. | 234-35928-51 |
| 20 High Altitude Orifice 5000 Ft. to 8000 Ft. | 234-35928-52 |
| 20 High Altitude Orifice Over 8000 Ft.        | 234-35928-53 |

### TO GET YOUR BRADFORD WHITE REPLACEMENT PARTS

1. USE THE ILLUSTRATION TO FIND THE PART YOU NEED
2. FIND YOUR MODEL WATER HEATER NUMBER ON THE FOLLOWING PAGES
3. REFER TO THE PARTS LISTINGS WITHIN THE COLUMNS
4. IF THE PART NUMBER IS HIGHLIGHTED IN YELLOW YOU CAN DIRECTLY CLICK AND GO TO THE SHOPPING CART
5. IF THE PART IS NOT DIRECTLY LINKED FIRST USE THE QUICK SEARCH BOX AND IF IT STILL IS NOT FOUND USE THE CONTACT US FORM AND SOMEONE WILL RESPOND WITHIN HOURS.

