



# BRADFORD WHITE®

C O R P O R A T I O N

## RESIDENTIAL GAS REPLACEMENT PARTS LIST

### Through-The-Wall (TTW2) Energy Saver Models



**Includes Hydrojet® Total Performance System**

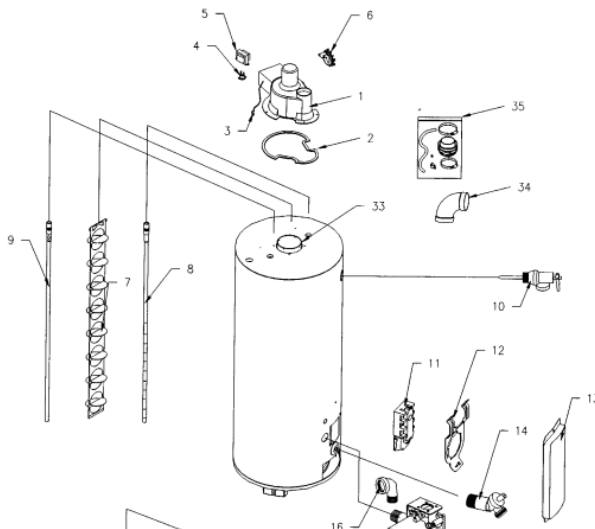
**Dash Twelve  
(-12) Models**

**Effective: November 1, 2001**

**NOTE: BOTH MODEL AND SERIAL NUMBER ARE REQUIRED FOR ORDERING REPLACEMENT PARTS**

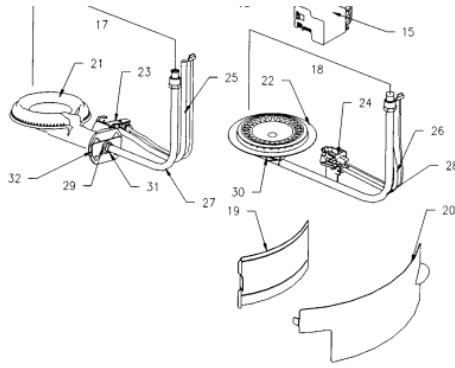
Dimensions and specifications subject to change without notice.

Parts Book #42900A



**Reference Number & Description**

<b>1</b>	Blower
<b>2</b>	Blower Gasket
<b>3</b>	Blower Harness
<b>4</b>	Temperature Switch
<b>5</b>	Transformer
<b>6</b>	Pressure Switch
<b>6A</b>	High Altitude Pressure Switch
<b>7</b>	Baffle
<b>8</b>	Dip Tube
<b>9</b>	Anode
<b>10</b>	T & P Valve
<b>11</b>	Thermostat
<b>12</b>	Thermostat Bracket
<b>13</b>	Hand hole Cover
<b>14</b>	"No" Handle Drain Valve
<b>15</b>	Gas Valve
<b>16</b>	Street Elbow
<b>17</b>	Assembly LP Gas Burner
<b>18</b>	Assembly Nat. Gas Burner
<b>19</b>	Inner Door
<b>20</b>	Outer Door
<b>21</b>	Burner (LP)
<b>22</b>	Burner (nat)
<b>23</b>	Pilot Assembly (LP)
<b>24</b>	Pilot Assembly (nat)



<b>25</b>	Pilot Tubing (LP)
<b>26</b>	Pilot Tubing (nat)
<b>27</b>	Feedline (LP)
<b>28</b>	Feedline (nat)
<b>29</b>	Main Burner Orifice (LP)
<b>30</b>	Main Burner Orifice (nat)
<b>31</b>	Washer Spring Crescent
<b>32</b>	Air Shutter
<b>33</b>	Flue Collar
<b>34</b>	Vent Terminal Elbow
<b>35</b>	3" Condensate Trap Kit



**Parts Common To MIITW(50, 65, 75)T\*EN12 Models**

Reference Number and Description	Part Number
<b>1</b> Blower	239-42133-00
<b>2</b> Blower Gasket	239-42636-00
<b>3</b> Blower Harness	239-42634-00
<b>4</b> Temperature Switch	239-42606-00
<b>5</b> Transformer	233-40753-00
<b>6</b> Pressure Switch	239-42614-00
<b>6A</b> High Altitude Pressure Switch	239-42905-00
<b>11</b> Thermostat	219-42034-00
<b>12</b> Thermostat Bracket	239-40765-00
<b>13</b> Hand Hole Cover	243-36618-02
<b>15</b> Gas Valve	222-40762-01
<b>16</b> Street Elbow	239-40779-00
<b>22</b> Nat. Gas Burner Only	228-42506-00
<b>33</b> Flue Collar	243-42572-00
<b>34</b> Vent Terminal Elbow	239-40579-00
<b>35</b> 3" Dia. Condensate Trap Kit	239-42743-00

**Parts Unique to MIITW50T\*EN12**

Reference Number and Description	Part Number
<b>7</b> Baffle	239-40552-00
<b>8</b> Cold Water Inlet (Hydrojet) Assembly	229-39625-22
<b>9</b> Hot Water Outlet / Magnesium Anode Assembly	224-32731-86
<b>10</b> T&P Valve	230-40594-02
<b>14</b> No Handle Drain Valve	227-42351-02
<b>18</b> Assembly Nat. Gas Burner	243-42600-01
<b>19</b> Inner Door	243-36739-02
<b>20</b> Outer Door	243-41061-00
<b>24</b> Pilot Assembly Nat.	233-40876-02
<b>26</b> Pilot Tubing	233-40767-03
<b>28</b> Feedline Nat.	233-42601-01
<b>30</b> Main Burner Orifice #27	234-41034-27

**Optional Parts Reference Number and Description**

<b>8</b> Cold Water Inlet (Hydrojet) Assembly (PSDTA)	229-39628-21
<b>9</b> Hot Water Outlet / Aluminum Anode Assembly	224-32999-21
<b>30</b> High Altitude Orifice 2000 Ft. to 5000 Ft.	234-41034-29
<b>30</b> High Altitude Orifice 5000 Ft. to 8000 Ft.	234-41034-30
<b>30</b> High Altitude Orifice Over 8000 Ft.	234-41034-30

(\*) Applies to all warranties.



**Parts Unique to MIITW65T\*EN12**

Reference Number and Description	Part Number
<b>7</b> Baffle	239-40552-00
<b>8</b> Cold Water Inlet (Hydrojet) Assembly	229-39625-08
<b>9</b> Hot Water Outlet / Magnesium Anode Assembly	224-32731-83
<b>10</b> T&P Valve	239-32920-01
<b>14</b> No Handle Drain Valve	227-42351-01
<b>18</b> Assembly Nat. Gas Burner	243-42609-02
<b>19</b> Inner Door	243-36739-02
<b>20</b> Outer Door	243-41061-00
<b>24</b> Pilot Assembly Nat.	233-40876-02
<b>26</b> Pilot Tubing	233-40767-03
<b>28</b> Feedline Nat.	233-42601-02
<b>30</b> Main Burner Orifice #27	234-41034-27
<b>Optional Parts Reference Number and Description</b>	
<b>8</b> Cold Water Inlet (Hydrojet) Assembly (PSDTA)	229-39268-21
<b>9</b> Hot Water Outlet / Aluminum Anode Assembly	224-32999-06
<b>30</b> High Altitude Orifice 2000 Ft. to 5000 Ft.	234-41034-29
<b>30</b> High Altitude Orifice 5000 Ft. to 8000 Ft.	234-41034-30
<b>30</b> High Altitude Orifice Over 8000 Ft.	234-41034-31

**Parts Unique to MIITW75T\*EN12**

Reference Number and Description	Part Number
<b>7</b> Baffle	239-42573-00
<b>8</b> Cold Water Inlet (Hydrojet) Assembly	229-39625-05
<b>9</b> Hot Water Outlet / Magnesium Anode Assembly	224-32731-83
<b>10</b> T&P Valve	239-40594-02
<b>14</b> No Handle Drain Valve	227-42351-02
<b>18</b> Assembly Nat. Gas Burner	243-42609-03
<b>19</b> Inner Door	243-39207-00
<b>20</b> Outer Door	243-37177-00
<b>24</b> Pilot Assembly Nat.	233-40876-03
<b>26</b> Pilot Tubing	233-40767-02
<b>28</b> Feedline Nat.	233-42601-03
<b>30</b> Main Burner Orifice #24	234-41034-21
<b>Optional Parts Reference Number and Description</b>	
<b>8</b> Cold Water Inlet (Hydrojet) Assembly (PSDTA)	229-39628-05
<b>9</b> Hot Water Outlet / Aluminum Anode Assembly	224-32999-06
<b>30</b> High Altitude Orifice 2000 Ft. to 5000 Ft.	234-41034-24
<b>30</b> High Altitude Orifice 5000 Ft. to 8000 Ft.	234-41034-28
<b>30</b> High Altitude Orifice Over 8000 Ft.	234-41034-28

Discontinued,  
replaced by  
233-40876-02

(\*) Applies to all warranties.



**Parts Common To MIITW(50, 65, 75)T\*CX12 Models**

Reference Number and Description	Part Number
<b>1</b> Blower	239-42133-00
<b>2</b> Blower Gasket	239-42636-00
<b>3</b> Blower Harness	239-42634-00
<b>4</b> Temperature Switch	239-42606-00
<b>5</b> Transformer	233-40753-00
<b>6</b> Pressure Switch	239-42614-00
<b>6A</b> High Altitude Pressure Switch	239-42905-00
<b>11</b> Thermostat	219-42034-00
<b>12</b> Thermostat Bracket	239-40765-00
<b>13</b> Hand Hole Cover	243-36618-02
<b>15</b> Gas Valve	222-40762-02
<b>16</b> Street Elbow	239-40779-00
<b>31</b> Washer Spring Crescent	239-40729-00
<b>32</b> Air Shutter	239-35466-00
<b>33</b> Flue Collar	243-42572-00
<b>34</b> Vent Terminal Elbow	239-40579-00
<b>35</b> 3" Dia. Condensate Trap Kit	239-42743-00

**Parts Unique to MIITW50T\*CX12**

Reference Number and Description	Part Number
<b>7</b> Baffle	239-40552-00
<b>8</b> Cold Water Inlet (Hydrojet) Assembly	229-39625-22
<b>9</b> Hot Water Outlet / Magnesium Anode Assembly	224-32731-86
<b>10</b> T&P Valve	239-40594-02
<b>14</b> No Handle Drain Valve	227-42351-02
<b>18</b> Assembly L.P. Gas Burner	243-40815-01
<b>19</b> Inner Door	243-36739-02
<b>20</b> Outer Door	243-41061-00
<b>21</b> L.P. Gas Burner Only	228-14173-00

<b>24</b>	Pilot Assembly LP.	233-40877-03
<b>26</b>	Pilot Tubing	233-40767-03
<b>28</b>	Feedline LP.	233-40919-01
<b>30</b>	Main Burner Orifice #43	234-35928-43
<b>Optional Parts Reference Number and Description</b>		
<b>8</b>	Cold Water Inlet (Hydrojet) Assembly (PSDTA)	229-39628-21
<b>9</b>	Hot Water Outlet / Aluminum Anode Assembly	224-32999-21
<b>30</b>	High Altitude Orifice 2000 Ft. to 5000 Ft.	234-35928-44
<b>30</b>	High Altitude Orifice 5000 Ft. to 8000 Ft.	234-35928-47
<b>30</b>	High Altitude Orifice Over 8000 Ft.	234-35928-48

(\*) Applies to all warranties.



**Parts Unique to MIITW65T\*CX12**

Reference Number and Description	Part Number
<b>7</b> Baffle	239-40552-00
<b>8</b> Cold Water Inlet (Hydrojet) Assembly	229-39625-08
<b>9</b> Hot Water Outlet / Magnesium Anode Assembly	224-32731-83
<b>10</b> T&P Valve	230-32920-01
<b>14</b> No Handle Drain Valve	227-42351-02
<b>18</b> Assembly LP. Gas Burner	243-40815-05
<b>19</b> Inner Door	243-36739-02
<b>20</b> Outer Door	243-41061-00
<b>21</b> LP. Gas Burner Only	228-14173-00
<b>24</b> Pilot Assembly LP.	233-40877-02
<b>26</b> Pilot Tubing	233-40767-02
<b>28</b> Feedline LP.	233-40919-03
<b>30</b> Main Burner Orifice #43	234-35928-43
<b>Optional Parts Reference Number and Description</b>	
<b>8</b> Cold Water Inlet (Hydrojet) Assembly (PSDTA)	229-39628-21
<b>9</b> Hot Water Outlet / Aluminum Anode Assembly	224-32999-06
<b>30</b> High Altitude Orifice 2000 Ft. to 5000 Ft.	234-35928-44
<b>30</b> High Altitude Orifice 5000 Ft. to 8000 Ft.	234-35928-47
<b>30</b> High Altitude Orifice Over 8000 Ft.	234-35928-48

**Parts Unique to MIITW75T\*CX12**

Reference Number and Description	Part Number
<b>7</b> Baffle	239-42573-00
<b>8</b> Cold Water Inlet (Hydrojet) Assembly	229-39625-05
<b>9</b> Hot Water Outlet / Magnesium Anode Assembly	224-32731-83
<b>10</b> T&P Valve	230-40594-02
<b>14</b> No Handle Drain Valve	227-42351-02
<b>18</b> Assembly LP. Gas Burner	243-42610-01
<b>19</b> Inner Door	243-39207-00
<b>20</b> Outer Door	243-37177-00
<b>21</b> LP. Gas Burner Only	228-42080-00
<b>24</b> Pilot Assembly LP.	233-40877-04
<b>26</b> Pilot Tubing	233-40767-04
<b>28</b> Feedline LP.	233-42602-01
<b>30</b> Main Burner Orifice #41	234-35928-41
<b>Optional Parts Reference Number and Description</b>	
<b>8</b> Cold Water Inlet (Hydrojet) Assembly (PSDTA)	229-39628-05
<b>9</b> Hot Water Outlet / Aluminum Anode Assembly	224-32999-06
<b>30</b> High Altitude Orifice 2000 Ft. to 5000 Ft.	234-35928-44
<b>30</b> High Altitude Orifice 5000 Ft. to 8000 Ft.	234-35928-44
<b>30</b> High Altitude Orifice Over 8000 Ft.	234-35928-46

(\*) Applies to all warranties.

